

AETES

AC CONVERTER 3PH 400Hz

Internal Isolation Transformer
Industrial-Grade Enclosure
Advanced User Panel



"...power alliance..."

DESCRIPTION

AETES AC to AC 400Hz Converter is a high technology equipment, including all protection and control systems, which is designed and manufactured to convert an AC voltage to another pure sinus and regulated AC voltage with 400Hz frequency. It provides AC power, which is especially important for Industry, Marine, Naval and Defence applications. This equipment contains an output isolation transformer, it provides full electrical isolation between AC input supply and AC output, and uses all advantages of Digital Signal Processor control. It provides handy user interface and advanced communication features.

FEATURES

- 12 Pulse rectifier to limit input current distortion
- Internal Isolation Transformer at output
- Full Digital Controlled conventional rectifier and IGBT inverter
- Soft start, smart control and high reliability with digital signal processor
- User language selection from front panel (DE, EN, ES, NL, PT, TR etc.)
- Low output voltage ripple and high reliability
- User panel with LCD display, showing measurements, status and alarm messages
- Audible alarm and led indicators for easy observation of status
- Calibration of measurements from front panel
- DC Low, DC High, Line Failure, Over Temperature, Short Circuit protections
- Ability to program all operation parameters (Password Protected)
- Programmable alarm relay contact outputs (4 standard, up to 16 relays as option)
- Voltage Vector Control technology
- Modbus RS232 communication, standard
- Log records with date and time stamp up the 500 events

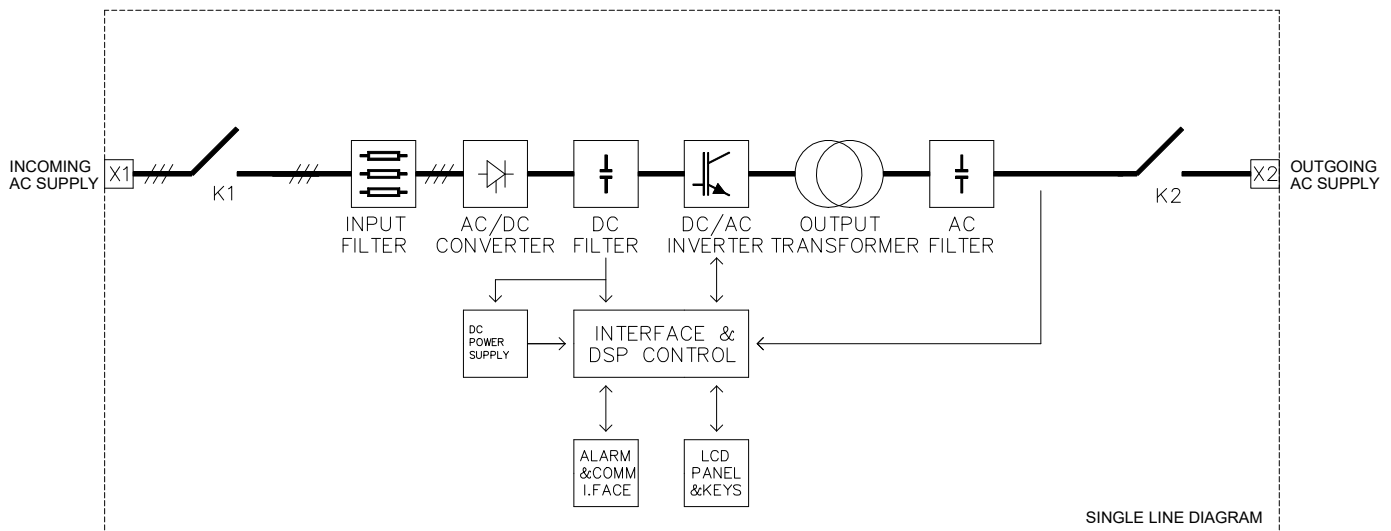
GENERAL SPECIFICATION

MODEL : FTM 3P3-400-E	/45K	/60K	/90K	/120K
INPUT				
Nominal Voltage	Options: 3P4W or 3P3W AC 380V; 400V; 415V; 440V; 460V; 480V ($\pm 15\%$)			
Nominal Frequency	50Hz/ 60Hz ($\pm 10\%$)			
Power Factor (Nominal)	0.90			
ITHD	<12%			
OUTPUT				
Nominal Voltage	Options: 3P4W or 3P3W AC 110/190V; 115/200V; 120/208V ($\pm 1\%$)			
Nominal Frequency	400Hz			
Output Voltage Adjustment	Optional			
Crest Factor	3:1			
THD	<3% at Linear Load			
Power Rating (kVA)	45 kVA	60 kVA	90 kVA	120 kVA
Power Rating (kW)	36 kW	48 kW	72 kW	96 kW
GENERAL PROPERTIES				
Circuit Breakers	Thermic-magnetic circuit breakers for input			
Cooling	Fan Forced Cooling (Standard), Water Cooling (Optional)			
Isolation Voltage	1500 or 3000VAC input/chassis and output/chassis			
Efficiency at full load	>88%			
Protection level	IP21 (Standard) IP31, IP41, IP54 (Optional)			
Cable Entry	Front Bottom (Option: Top or Rear or Side)			
ENVIRONMENTAL				
Acoustic Noise	<72 dB			
Storage Temperature	(-20 °C) – (+70 °C)			
Operating Temperature	(-5°C) - (+50°C)			
Relative Humidity	0 - 90% Non-condensing			
Max Altitude	2000m			
COMMUNICATION				
Communication	ModBus RS232 (Standard), 4 Dry Contacts (Standard), RS485 (Optional), TCP IP (Optional)			
COMPATIBILITY				
Design Criteria	IEC62040-1, IEC62040-2			
MECHANICAL				
Color	RAL7035 (Standard), others (Optional)			
Dimensions (mm)	A:1000 B:800 C:2000		A:1200 B:1000 C:2000	
NOTE: All specifications subject to change without notice. Consult AETES's Technical Support Department for special applications. All terms or names used above are registered trademarks of their respective owners.				

OPTIONS

- IGBT PWM Rectifier to High Input PF (>0.99), Low Input TDHI ($<3\%$)
- Active Parallel Current Sharing operation up to 4 devices
- Adjustable Output Voltage ($\pm 15\%$)
- Surge Suppression Device and Input Snubber modules
- Analog Gauges (Input / Output Voltages and Currents)
- Transducers for Input / Output Voltage / Current (4-20mA and 0-10V)
- Wide Screen HMI Touch Panel and Mimic Diagram
- Powermeter for Input Power Factor / kVA / kW measurement
- Additional Dry Contact Relay boards (Max. 3 pcs, 12 relays)
- Internal cabinet heating, lighting
- Enclosure paint and IP change (IP31, IP41, IP54 etc.)
- Internal Auxiliary 28VDC Output. (200A, 400A, 600A)
- Additional communication ports; RS485/ TCP IP/ MQTT

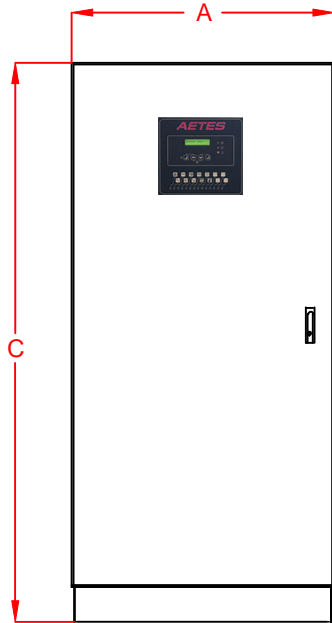
BLOCK DIAGRAM



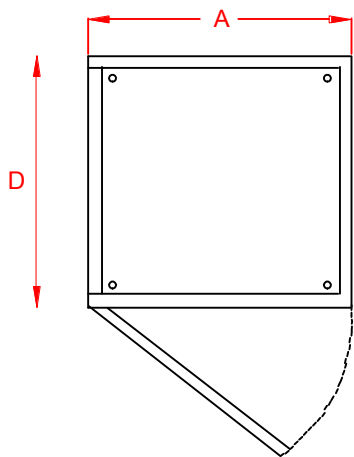
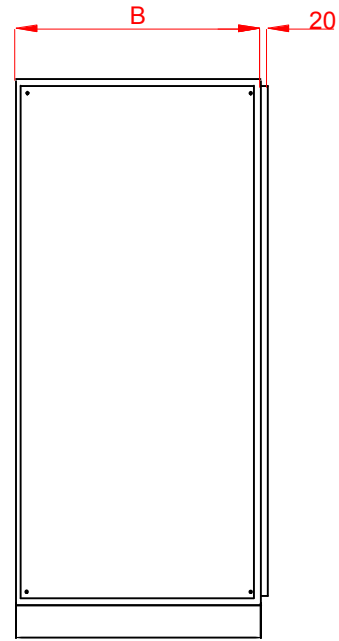
AETES AC-AC 400Hz Converter 3PH Block Diagram

DRAWING

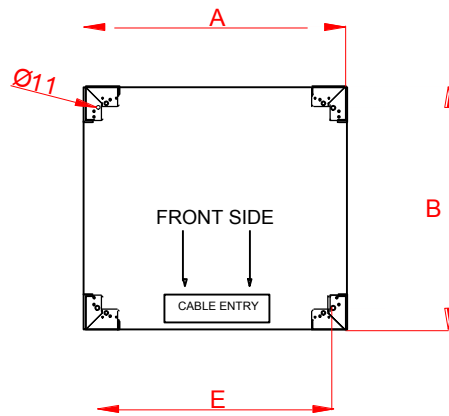
FRONT



LEFT



TOP



BOTTOM

"...power alliance..."



AETES
"...power alliance..."

The specifications, drawings and images indicated in this document are based on current information. All content is subject to modifications or additions. For more information on our local sales offices, visit us at our website below.