

# AETES

## Battery Charger 220VDC

High-Frequency Conversion  
Wall-Mounting Enclosure  
Advanced User Panel



"...power alliance..."

## FEATURES

---

- Full Digital Controlled IGBT Rectifier
- Soft Start, Smart control and high reliability with Digital Signal Processor
- Float charge, equalizing charge and boost charge modes
- Automatic and manual charge modes
- Low output voltage ripple and high reliability
- User panel with LCD display, showing measurements and alarm messages
- Audible alarm and Led displays for easy observation of Rectifier status
- Programmable current limitation
- User language selection from front panel (DE, EN, ES, NL, PT, TR)
- Calibration of measurements from front panel
- DC Low, DC High, Line Failure, Over Temperature, Short Circuit protections
- Ability to program all operation parameters (Password Protected)
- Programmable alarm relay contact outputs
- Load output voltage dropper, standard
- Modbus RS232 communication, standard
- Log records with date and time stamp up to 200 events

## OPTIONS

---

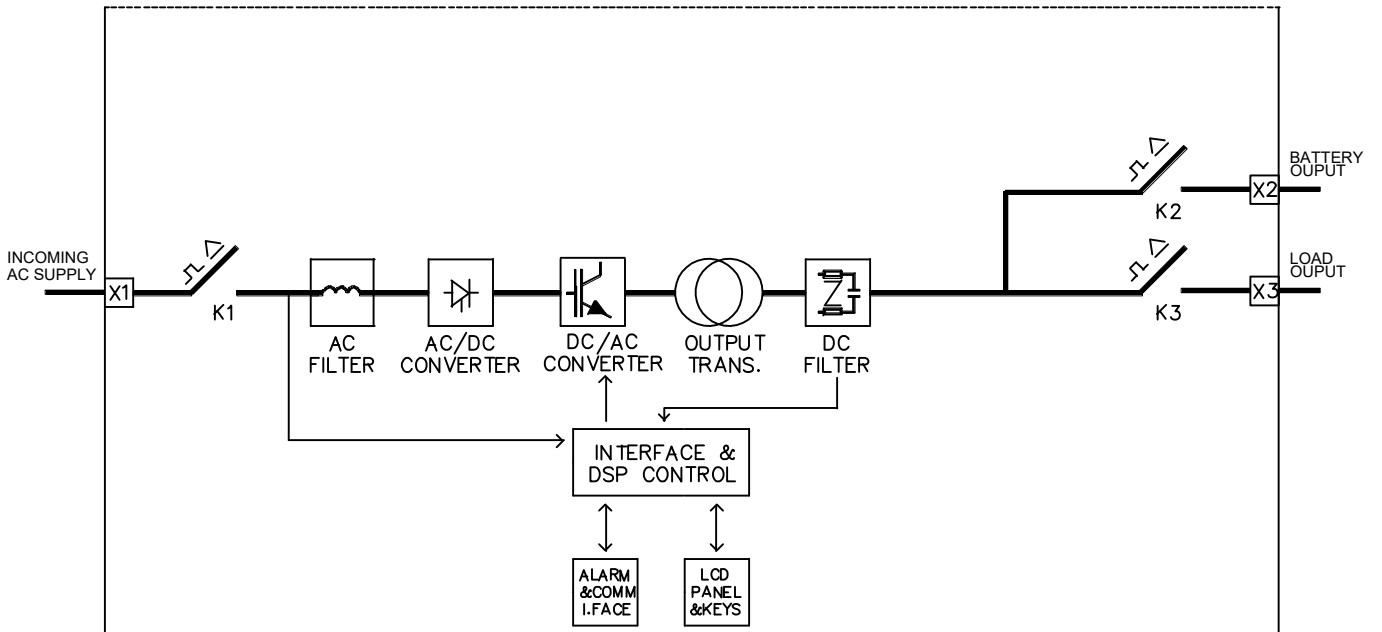
- Active parallel current sharing operation up to 4 devices
- Battery Monitoring and Temperature Compensation Module
- Analog Gauges (Input / Output / Battery Voltages and Currents)
- Transducers for Input / Output Voltage / Current (4-20mA and 0-10V)
- DC Earth Leakage Monitoring
- Additional Dry Contact Relay Boards (Max 3 pcs, 12 relays)
- Internal Cabinet Heater
- Alarm and Communication Interface RS485/ TCP-IP/ MQTT

# GENERAL SPECIFICATION

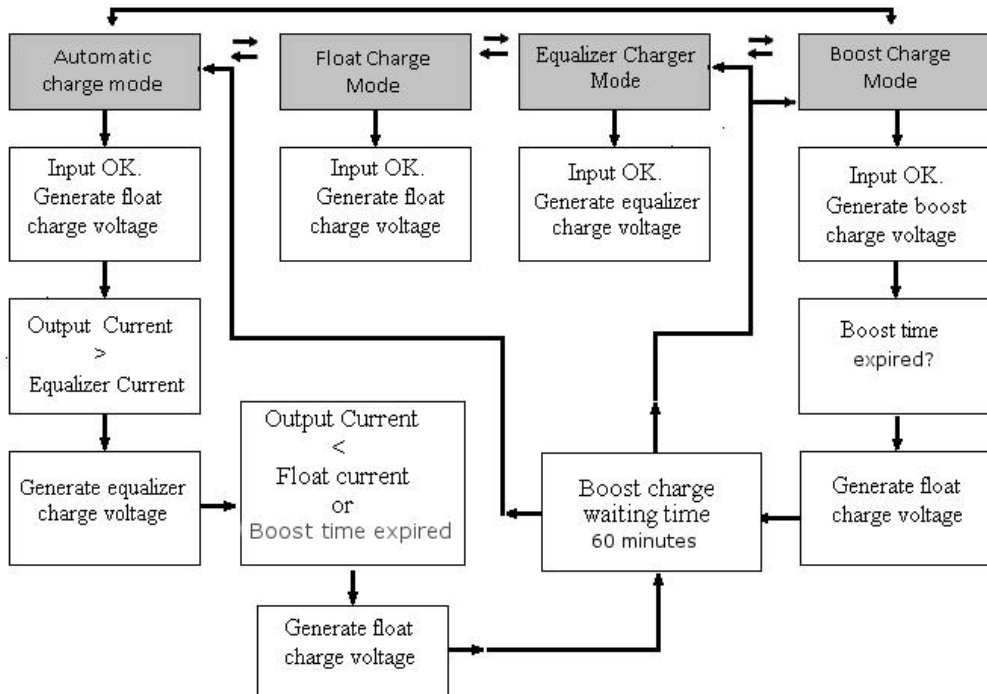
MODEL : XWM 1PH-220-C	/20A	/30A	/40A
<b>INPUT</b>			
Nominal Voltage	Options: 1-Phase 110V / 120V / 127V / 220V / 230V / 240V AC ( $\pm 15\%$ )		
Nominal Frequency	50Hz / 60Hz ( $\pm 10\%$ )		
Power Factor (Nominal)	0.90		
Input Protection	Overcurrent Protection, Overvoltage Protection		
<b>OUTPUT</b>			
Nominal Output Voltage	220VDC		
Output Voltage Adjustment	220V...264V DC (Optional 176V...286V DC)		
Output Current Adjustment	10-100% of Nominal Output Current		
Float Charger Voltage Range	100%-120% of Nominal Output Voltage		
Boost Charger Voltage	100% to 120% of Nominal Output Voltage		
Boost Voltage (V/C)	2,40 Lead Acid Battery 1,50 NiCd Battery		
Float Voltage (V/C)	2,24 Lead Acid Battery 1,40 NiCd Battery		
Nominal Output Current	20 Amp	30 Amp	40 Amp
Max Output Current	22 Amp	33 Amp	44 Amp
Voltage Ripple / Regulation	< 1.0% / <0.5%		
<b>GENERAL PROPERTIES</b>			
Bost Timer	0-99.9 hours adjustable		
Cooling	Fan Forced Cooling		
Isolation Voltage	1000 or 2000VAC input/chassis and output/chassis		
Efficiency at full load	<88%		
Protection level	IP20 (Standard) to IP54 (Optional)		
Cable Entry	Front Bottom		
Filtering	LC Filter		
Circuit Breakers	Circuit breakers for Input (Standard); for Battery and Load (Optional)		
Reset Button	Used for re-operation in case of fallure of the system.		
<b>ENVIRONMANTAL</b>			
Acoustic Noise	45 - 65 dB (according to Power Rating)		
Storage Temperature	(-10 °C) - (+70 °C)		
Operating Temperature	(-5°C) - (+50°C)		
Relative Humidity	0 - 95% Non-condensing		
Max Altitude	1000m (-1% Power for every 100m after 1000m) Max. 2000m		
Color	RAL7035 (Standard), others (Optional)		
<b>COMMUNICATION &amp; PARALLELING</b>			
Communication	ModBus RS232 (Standard), 4 Dry Contacts (Standard), RS485 (Optional), TCP IP (Optional)		
Paralleling	Parallel Redundant Kit (Optional)		
<b>COMPATIBILITY</b>			
Standards	IEC62040-1, IEC62040-2		

NOTE: All specifications subject to change without notice. Consult AETES's Technical Support Department for special applications. All names used above are registered trademarks of their respective owners.

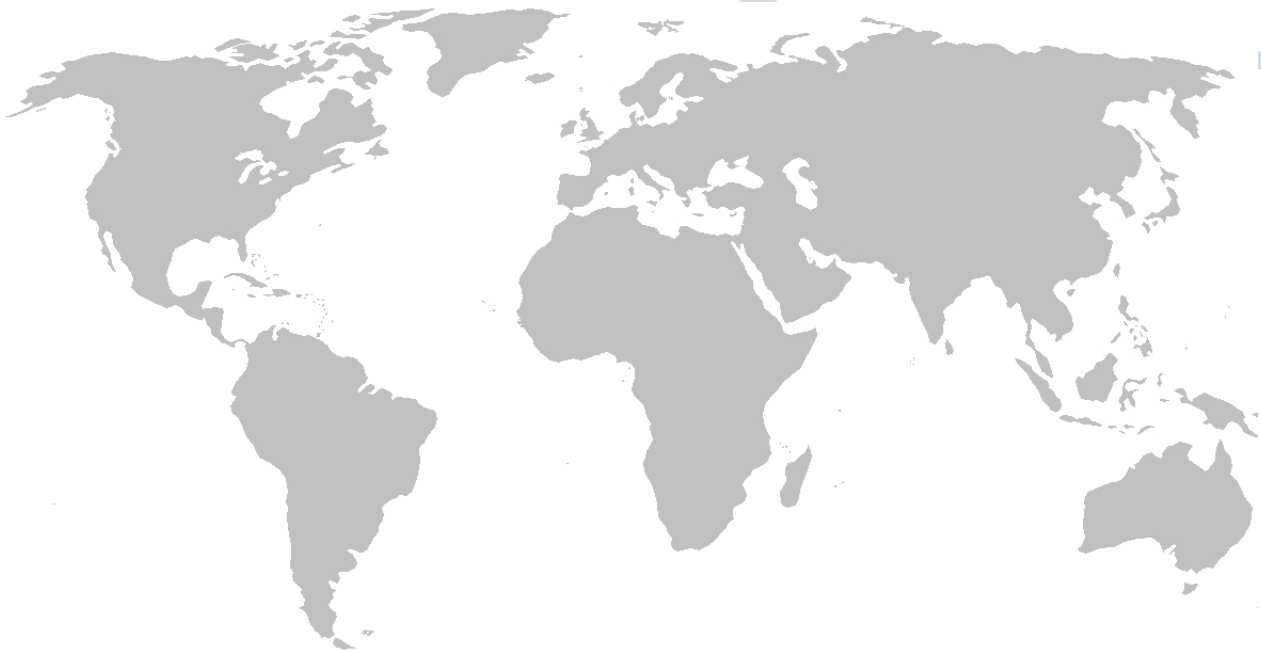
# LINE DIAGRAM



# FLOWCHART



*"...power alliance..."*



**AETES**  
*"...power alliance..."*

The specifications, drawings and images indicated in this document are based on current information. All content is subject to modifications or additions. For more information on our local sales offices, visit us at our website below.