

# AETES

## 220VDC INVERTER RM 2U

*Pure Sine Wave AC Output*

*Useful LCD Front Panel*

*Small Size Design*



*"...power alliance..."*

## DESCRIPTION

AETES 220VDC Inverter RM 2U is a high technology equipment, including all protection and control systems, which is designed and manufactured to convert an 220V DC voltage to pure sinus and regulated AC voltage with a predefined frequency. It provides AC power, which is especially important for Industrial, Telecom and Energy applications.

This equipment contains internal line filters, it provides full electrical quality between DC/AC input supplies and AC output, and uses all advantages of Digital Signal Processor control. It provides also handy user interface and advanced communication features.

## FEATURES

- Lightweight and Slim Structure Provided by the Latest Semiconductor Technology
- Useful LCD Display, Showing Measurements, Status and Alarm Message
- Low Output Voltage Harmonics
- Wide DC Input Voltage Range
- Excellent Short Circuit Protection
- Overload and Over Temperature Protections
- Precise Output Frequency Regulation
- High Efficiency thanks to CPU Controlled Design
- ModBus RS232, RS485 ports for Remote Monitoring Purposes
- Alarm Outputs with 5 Dry Contacts for Input and Output Faults
- Other Advanced Communication Options

# GENERAL SPECIFICATION

<b>Model:</b>	220-230 1000VA	220-230 2000VA	220-230 3000VA	220-230 5000VA
---------------	-------------------	-------------------	-------------------	-------------------

## DC Input

Voltage Range	Working 182V...272V (Starting 208V...258V DC)			
Rated Input Current	5A	10A	14A	24A
THDI	≤10%			
Efficiency	>85% (full linear load)			

## AC Output

Voltage	220V AC			
Capacity	800W	1600W	2400W	4000W
Max. Output Current	3,5A	7A	10A	18A
Line Regulation	±2%			
Frequency	50Hz or 60Hz ± 0.2Hz			
Wave Form	Pure Sine Wave			
THD Linear	≤3%			
Load Regulation	≤5% (load 0% to 100%)			

## AC Bypass Input

Voltage Range	176V...265V AC
Transfer Time	≤5ms

## Peripheral

Short	For 1 second; Switch to Bypass, then shutdown
Overload	105-125% for 3 seconds >125% for 1 second; Switch to Bypass
Temperature Range	-10°C... 50°C

## Compatibility

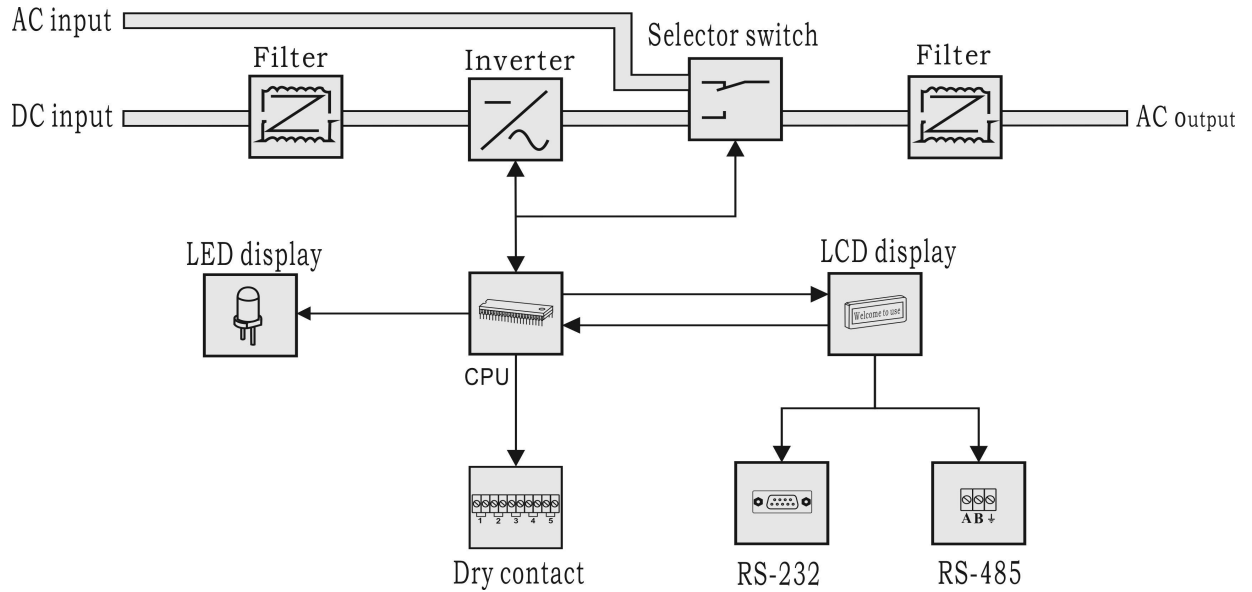
Safety	IEC60204
EMI / RFI	IEC61000

## Mechanical

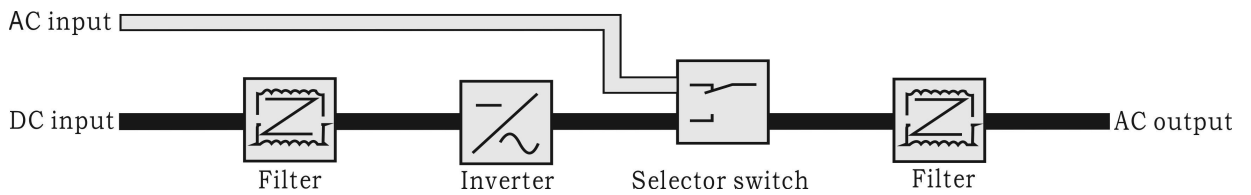
Dimensions	2U x 19" x 360mm	2U x 19" x 390mm		
Weight	9 kg	10 kg	11 kg	14 kg

# BLOCK DIAGRAM

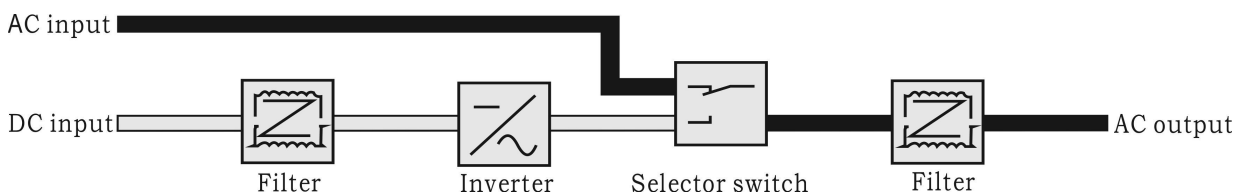
## ● WORKING PRINCIPLE



## ● DC MODE (Inverter)



## ● AC MODE (By-Pass)



# DRAWING

Figure 1: 220-230-1000VA / 220-230-2000VA

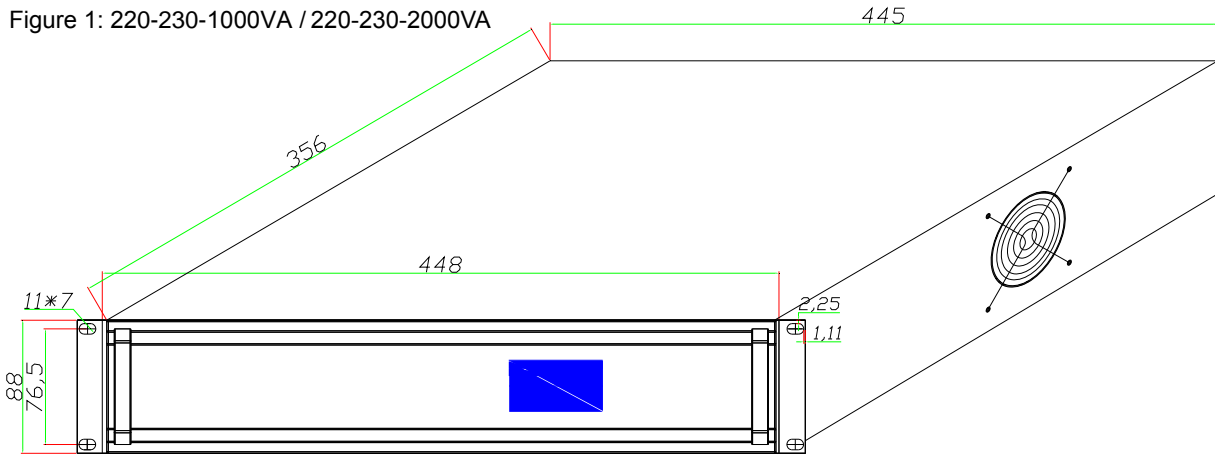
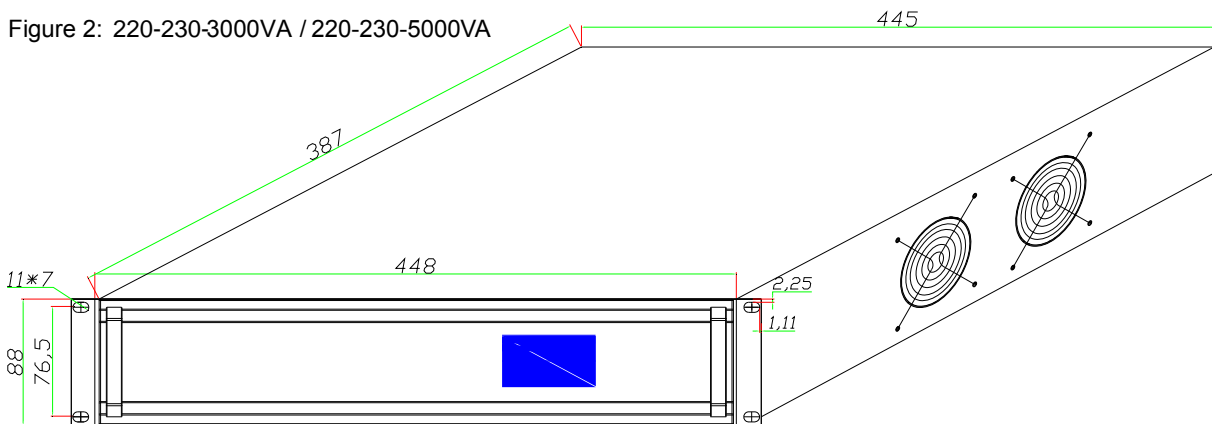
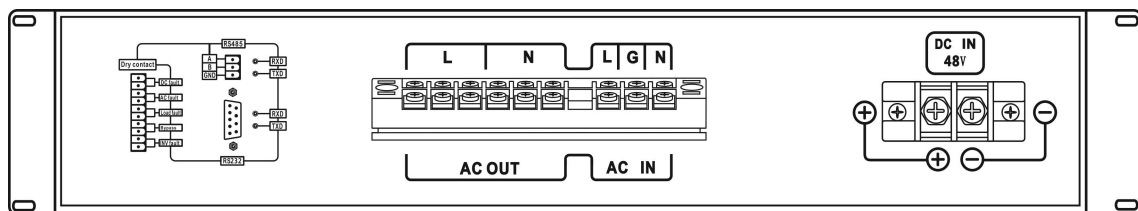


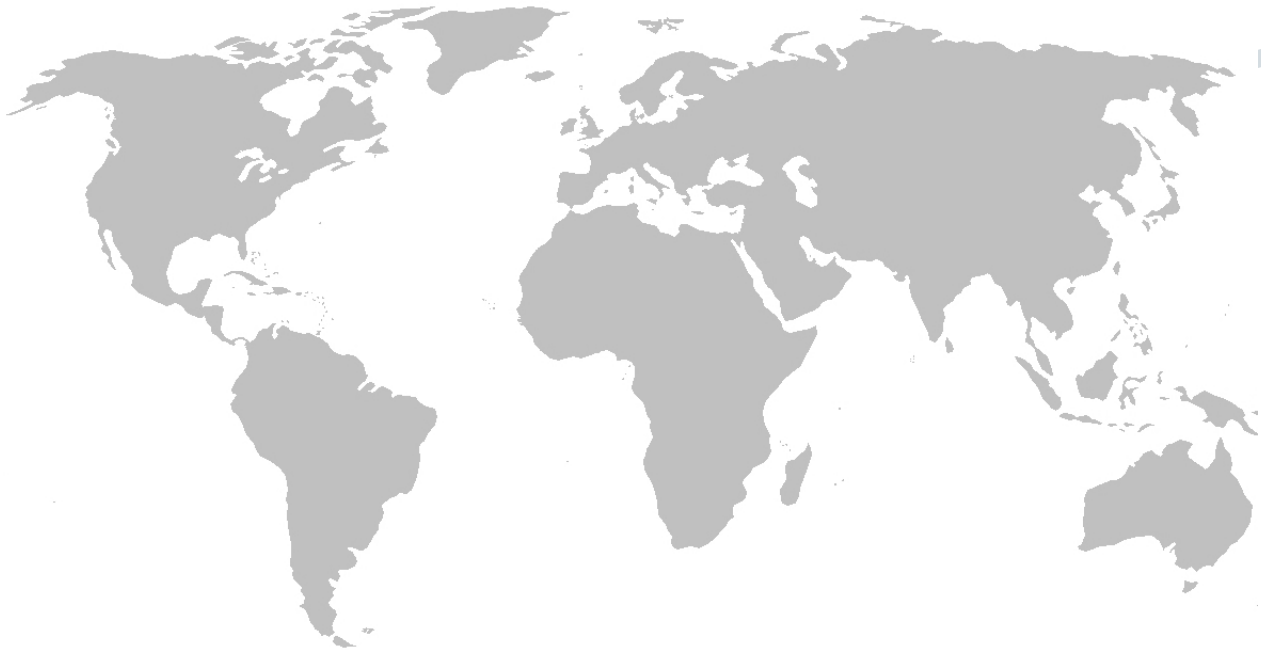
Figure 2: 220-230-3000VA / 220-230-5000VA



# REAR PANEL



*"...power alliance..."*



**AETES**  
*"...power alliance..."*

The specifications, drawings and images indicated in this document are based on current information. All content is subject to modifications or additions. For more information on our local sales offices, visit us at our website below.