

# AETES

## 220V DC INVERTER RM 4U

*Pure Sine Wave AC Output*

*Useful LCD Front Panel*

*Small Size Design*



*"...power alliance..."*

## DESCRIPTION

AETES 220VDC Inverter RM 4U is a high technology equipment, including all protection and control systems, which is designed and manufactured to convert an 220V DC voltage to pure sinus and regulated AC voltage with a predefined frequency. It provides AC power, which is especially important for Industrial, Telecom and Energy applications.

This equipment contains internal line filters, it provides full electrical quality between DC / AC input supplies and AC output, and uses all advantages of Digital Signal Processor control. It provides also handy user interface and advanced communication features.

## FEATURES

- Useful LCD Display, Showing Measurements, Status and Alarm Message
- Low Output Voltage Harmonics
- Advanced Communication Options
- Wide Bypass Voltage and Frequency Range
- Excellent Short Circuit Protection
- Overload and Over Temperature Protections
- Precise Output Frequency Regulation
- High Efficiency thanks to CPU Controlled Design
- Dry Contact Outputs and RS232, RS485 ports for Remote Monitoring Purposes
- Lightweight and Slim Structure Provided by the Latest Semiconductor Technology

# GENERAL SPECIFICATION

**Model:**                    220-230-08KVA                    220-230-10KVA

## DC Input

Voltage Range	Working 182V...270V (Starting 208V...258V DC) $\pm 2V$	
Rated Input Current	36A	45A
THDI	$\leq 10\%$	
Efficiency	$> 85\%$ (full linear load)	

## AC Output

Voltage	220V AC	
Capacity	6400W	8000W
Max. Output Current	28A	36A
Line Regulation	$\pm 2\%$	
Frequency	50Hz or 60Hz $\pm 0.2Hz$	
Wave Form	Pure Sine Wave	
THD Linear	$\leq 3\%$	
Load Regulation	$\leq 5\%$ (load 0% to 100%)	

## AC Bypass Input

Voltage Range	176V...270V AC ( $\pm 10V$ )
Transfer Time	$\leq 5ms$

## Peripheral

Short	For 1 second; Switch to Bypass, then shutdown
Overload	105-125% for 3 seconds >125% for 1 second; Switch to Bypass
Temperature Range	$-10^{\circ}C \dots 50^{\circ}C$

## Compatibility

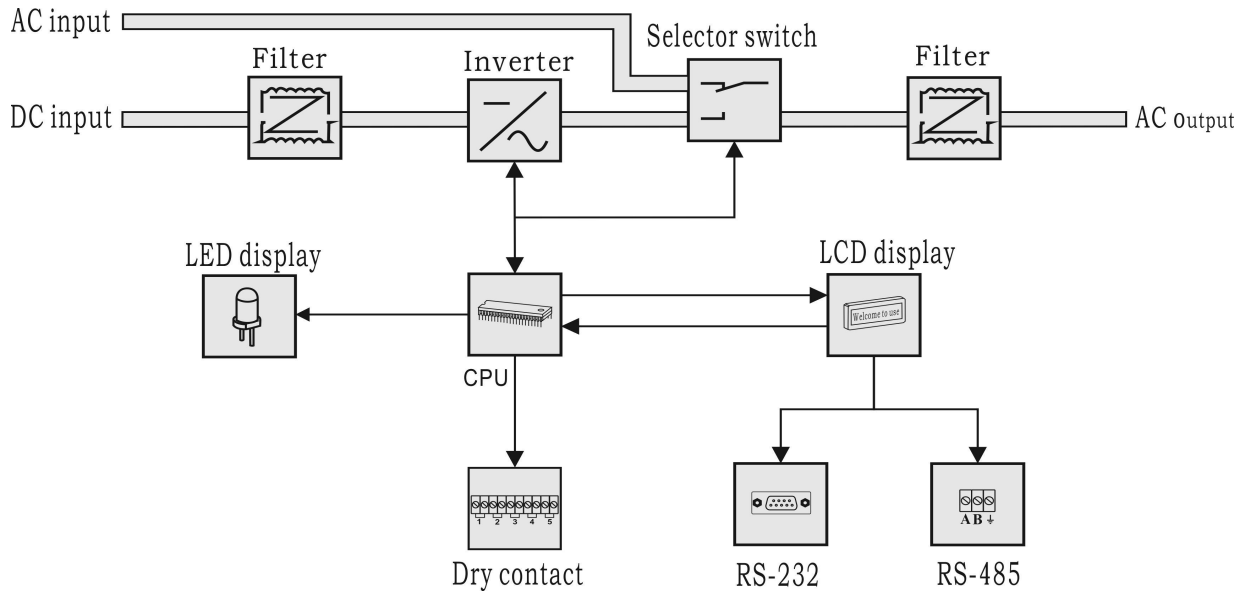
Safety	IEC60204
EMI / RFI	IEC61000

## Mechanical

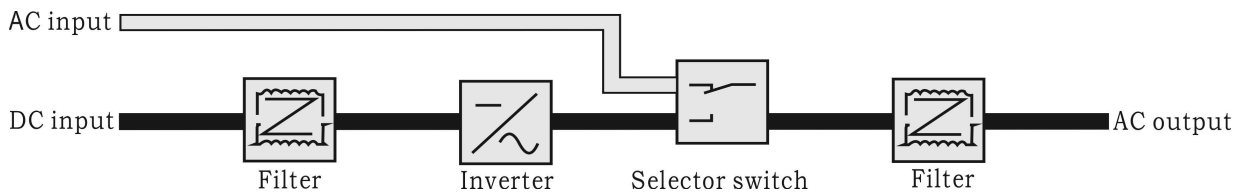
Dimensions	4U x 19" x 500mm	4U x 19" x 500mm
Weight	23 kg	25 kg

# BLOCK DIAGRAM

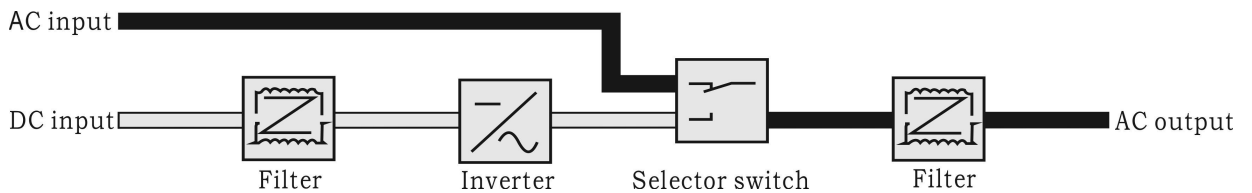
## ● WORKING PRINCIPLE



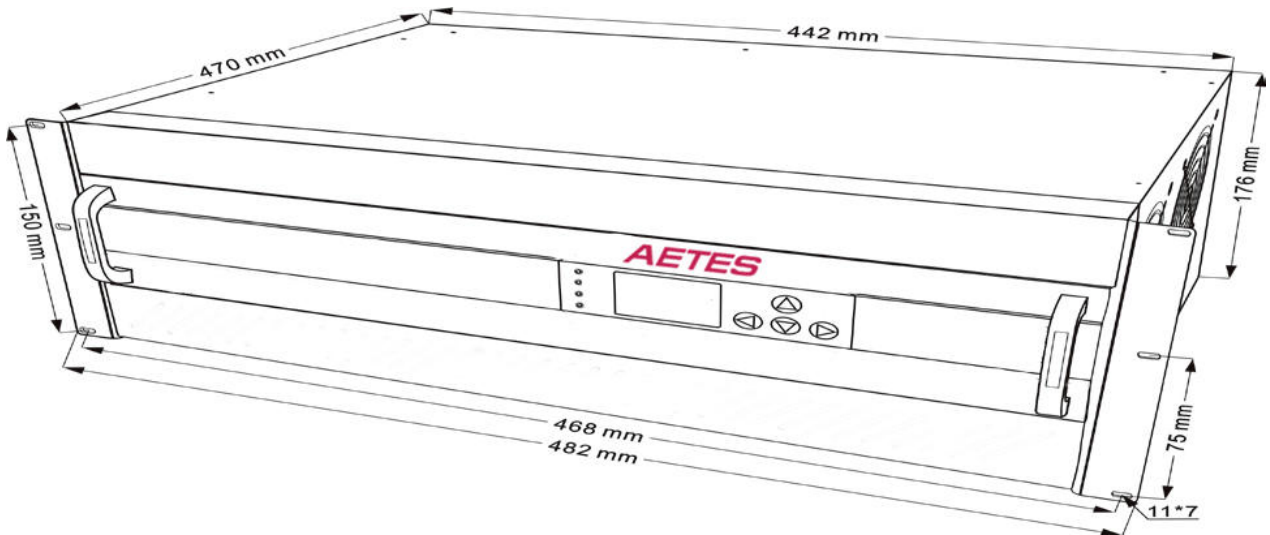
## ● DC MODE (Inverter)



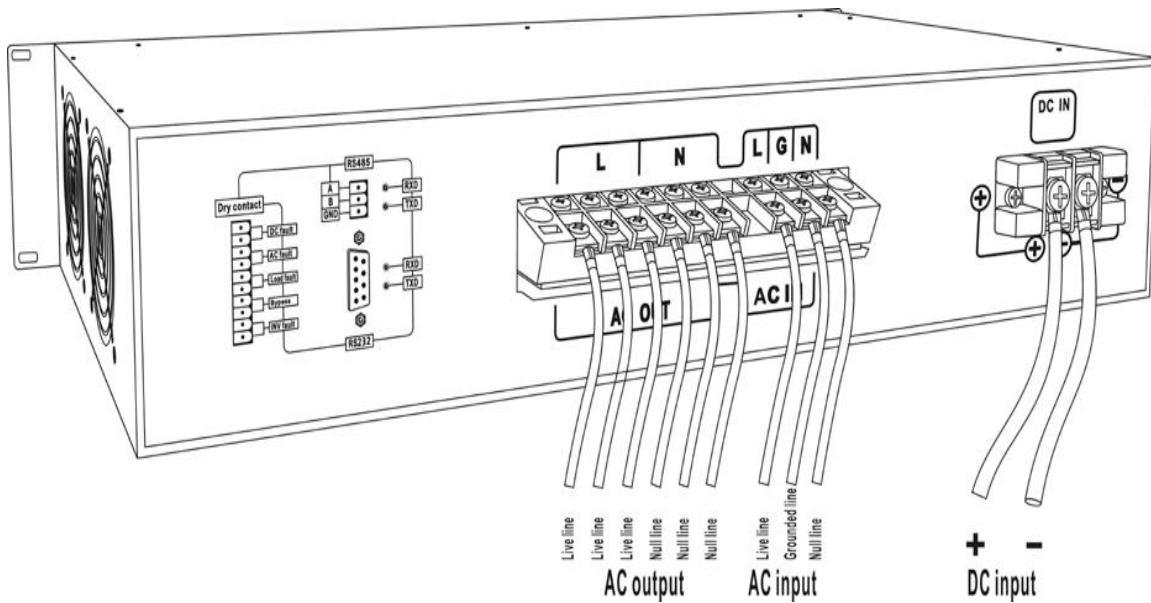
## ● AC MODE (By-Pass)



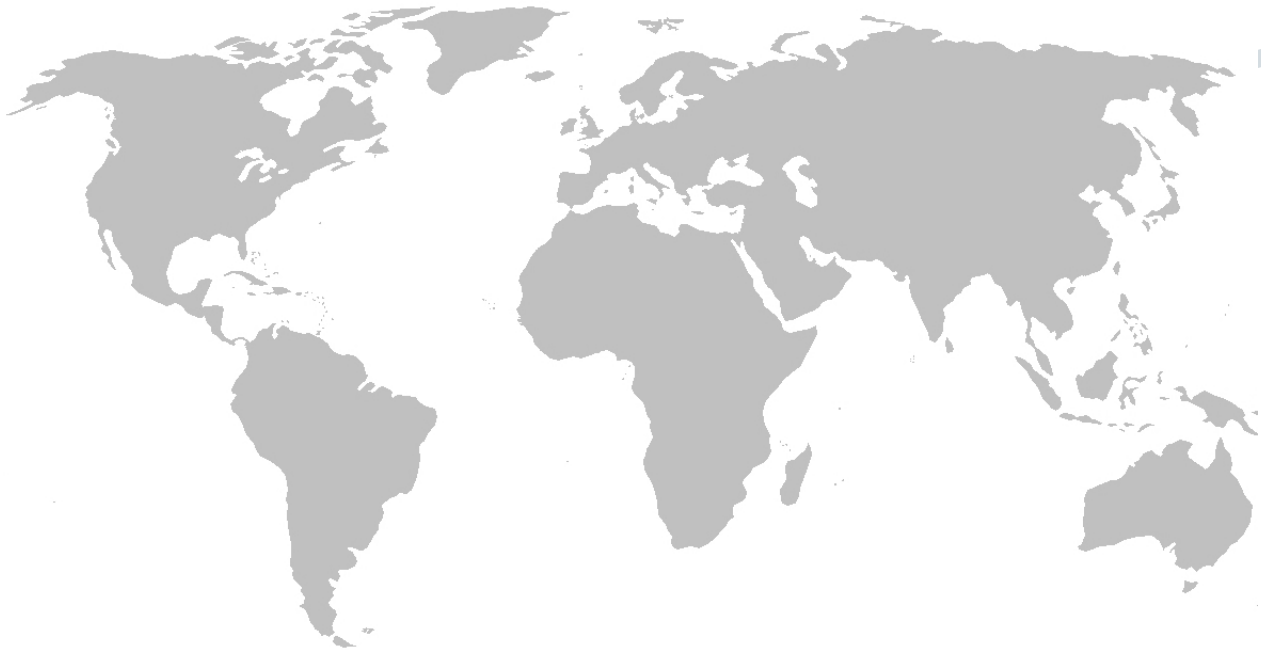
# DRAWING



# REAR PANEL



*"...power alliance..."*



**AETES**  
*"...power alliance..."*

The specifications, drawings and images indicated in this document are based on current information. All content is subject to modifications or additions. For more information on our local sales offices, visit us at our website below.