

AETES

UPS RM 4U 5000VA-6000VA

*Industrial Communication Ports
Compact, Minimal Height
Five-Year Warranty*



"...power alliance..."

DESCRIPTION

AETES's 19" Rack Mountable RM 4U series UPS are designed to provide conditioned power to electronic control systems and other sensitive electronic equipment. AETES RM 4U UPS is a Double Conversion, On-line UPS, protects your equipment from voltage sags, spikes and complete power failure that may interrupt critical systems, cause data loss and even damage equipment; continuously conditions and regulates its output voltage.

FEATURES

- True On-Line Double Conversion
- Selectable ECO-MODE operation for Higher Efficiency
- UPS Monitoring and Automatic Shutdown Software
- Low output voltage ripple and high reliability
- LCD display, showing measurements, status and alarm messages
- Audible alarm and Led displays for easy observation of UPS status
- EPO Port Ready Emergency Power Off Switch
- Setup of Voltage and Frequency from front panel
- Over Load, Over Temperature, Short Circuit protections
- Wide input voltage range
- Cold Start; DC Power On

OPTIONS

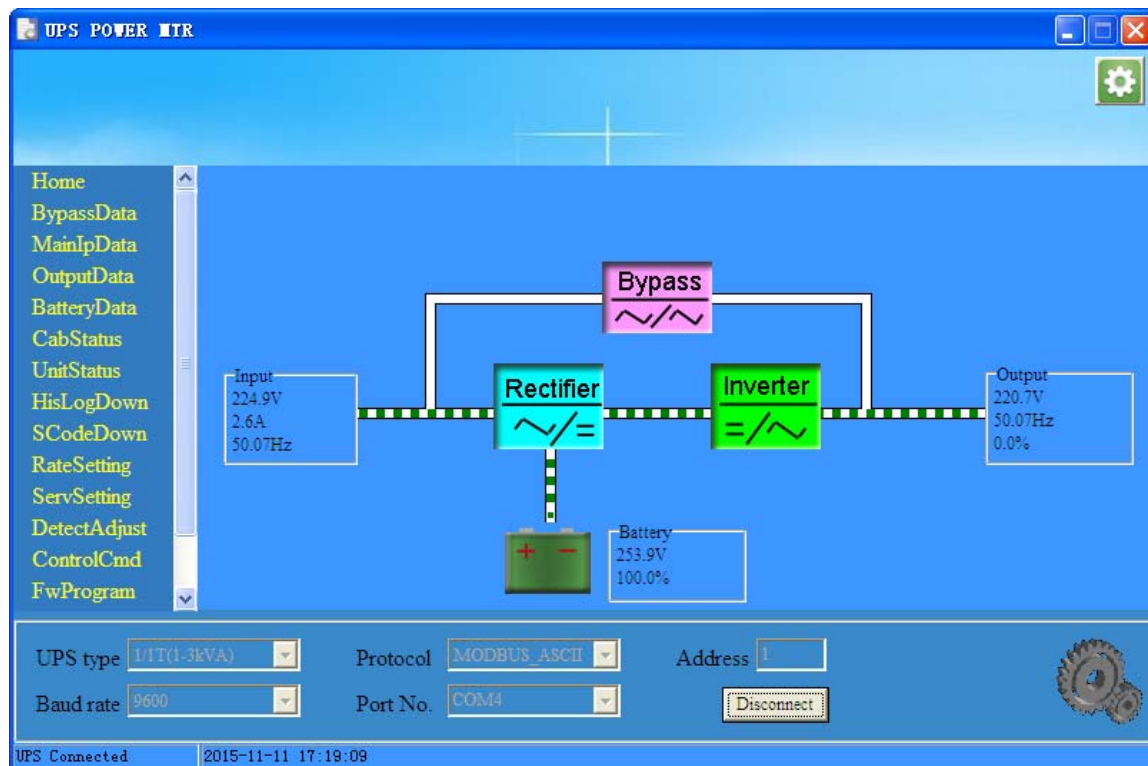
- External DC Power Socket and Additional Battery Modules for Longer Backup Time
- SNMP Web/Network Management Module
- Dry Contact Relay Module
- USB-B Communication Port
- RS485 ModBUS Communication Module
- Remote Monitoring Panel

GENERAL SPECIFICATION

MODEL	RM 4U 5000	RM 4U 6000
Topology	True On-Line, Double Conversion	
On-battery Output Waveform	True Sine Wave	
Maximum Capacity	5000VA / 5000W	6000VA / 6000W
INPUT		
AC Input Type	Single Phase (P+N+G)	
Nominal Input Voltage	208/ 220/ 230/ 240 VAC	
Input Voltage Range	176V... 286V AC	
Nominal Input Frequency	50Hz / 60Hz (Auto Sensing)	
Input Frequency Range	40...70 Hz	
Input PFC	>0.98 @Full load	
OUTPUT		
Nominal Output Voltage	208/ 220/ 230/ 240 VAC(Selectable)	
Output Voltage Regulation	Rated Voltage +/-1%	
Output T.H.D	<1% THD at Linear Load	
Efficiency AC to AC (Eco Mode)	<97%	
Crest Factor	3 : 1	
Start on Battery	Yes	
Auto Restart	Yes	
Output Socket Types	Cable Terminal	Cable Terminal
PROTECTION		
Surge Protection	Input Power Line and External Data Line Protection	
Overload Protection	130% Load for 60sec 150% of 30sec (Batt. Mode; 130% Load for 10sec)	
Short Circuit Protection	UPS output cut off immediately	
BATTERY		
Internal Battery Set	8-Year Life AETES 12V33.8W ×16	8-Year-Life AETES 12V33.8W ×16
Typical Backup Time (Full / Half load)*	7/ 17 min	6/ 15 min
Recharge Time to 90% (Typical)	< 8 Hours	
DIAGNOSTICS		
Front Panel LCD and LEDs	AC mode / On line / On battery / Bypass / Fault / Overload and other parameters	
Audible Alarms	Battery Mode / UPS Faults / Overload	
COMMUNICATION		
Communication Port	Standard; RS232 (Optional; USB-B or AS400 or Dry Contact Module)	
SNMP Network Management Module	Optional	
ENVIRONMENTAL		
Operation Temperature	0~40°C	
Storage Temperature	-20~70°C	
Relative Humidity	0~95% humidity, non-condensing	
Audible Noise	< 40dBA (at 1 meter from surface of unit)	
COMPATIBILITY		
Safety	IEC/EN 62040-1-1	
EMI	IEC/EN 62040-2 /Class A	
PHYSICAL		
Dimensions (WxDxH) (mm)	438×660×176	438×660×176
Weight (Net / Gross) (kg)	58.0/ 63.5	61.0 / 66.5
WARRANTY		
AETES Warranty Certificate	5-Year	

MONITORING SOFTWARE

AETES Power Monitor software (UPS Power MTR) is designed for monitoring and setting RM UPS series. Its serial cable can be connected directly from UPS's RS232 or USB-B port to the your system computer's serial port. For example, the UPS event history log can be viewed on the interface or downloaded as a file.



AETES UPS Monitoring Software Interface Main Page

DRY CONTACT RELAY MODULE

It is one of the optional modules that can be used in the Intelligent Slot. There are two connection types of Relay Card for option: DB9 or Cable Terminal. Max output current for Dry Contacts on Relay Card is 1 Amp. The function of outputs are listed as below:

DESCRIPTION OF RELAY MODULE PINS

FUNCTION	DB9	TERMINAL	DESCRIPTION
UPS fault	1	9	Opened from common connection: UPS is abnormal. Closed: UPS is normal
General	2	7	Opened from common connection: UPS is warning Closed: UPS is normal
GND	3	2	Internal GND, used to connect external power supply 12~24Vdc
Remoted shutdown	4	4	Input port. Used with external power supply. If connected to power supply, UPS transfer to bypass. UPS shutdown if bypass is abnormal
Common connection	5	1	Common connection of output signal. Connected to power supply for input signal. Shown as Fig 5 2.
Bypass mode	6	8	Closed to common connection: UPS is working in bypass mode Opened: UPS is not working in bypass mode
Battery low	7	6	Opened from common connection: battery low alarm Closed: battery capacity is normal or not in battery mode
Normal mode	8	5	Closed from common connection: UPS is working in normal mode.
Utility failure	9	3	Opened from common connection: Utility input is failure

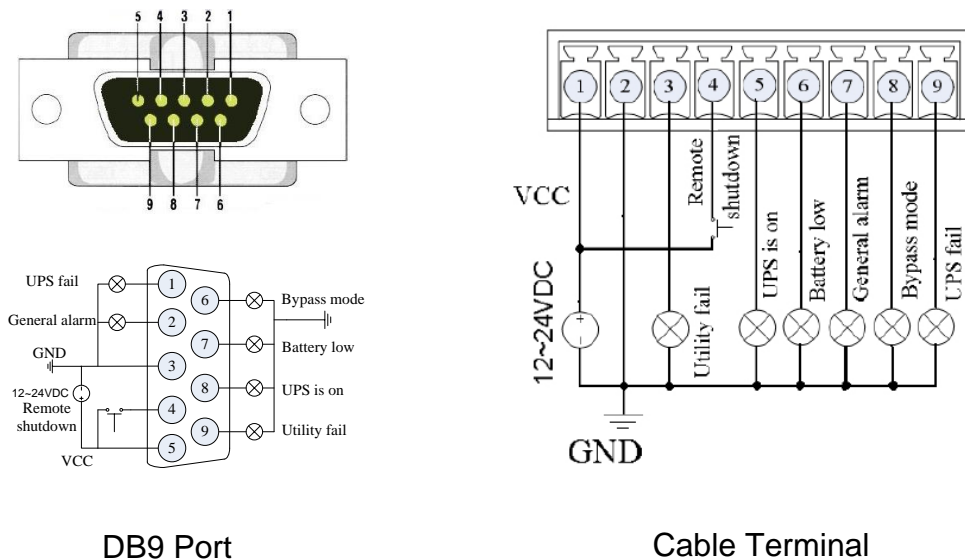
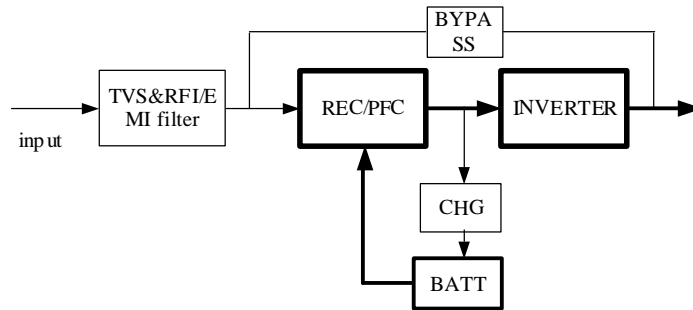


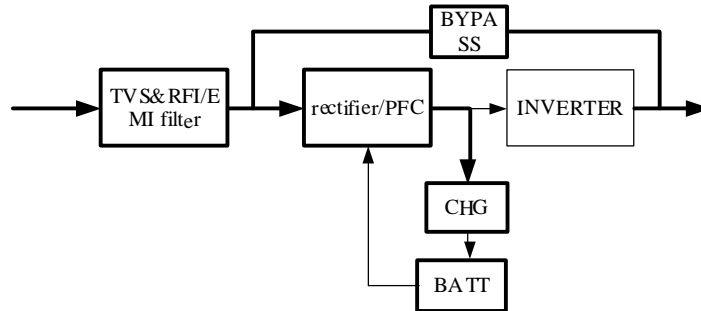
Fig.8 Wiring Diagram of Dry Contact Relay Card

BLOCK DIAGRAM

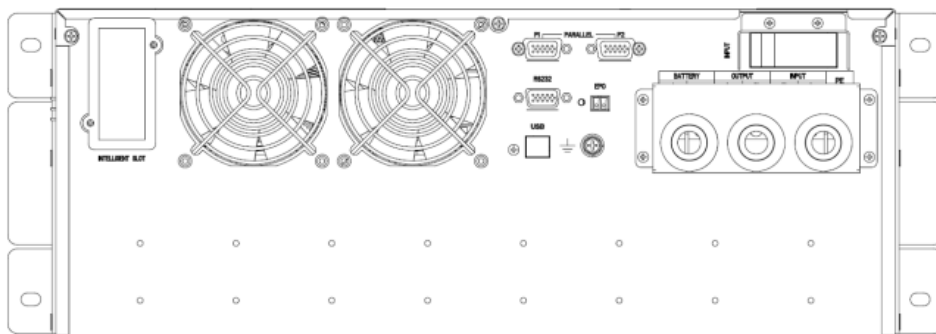
BATTERY MODE



BYPASS MODE

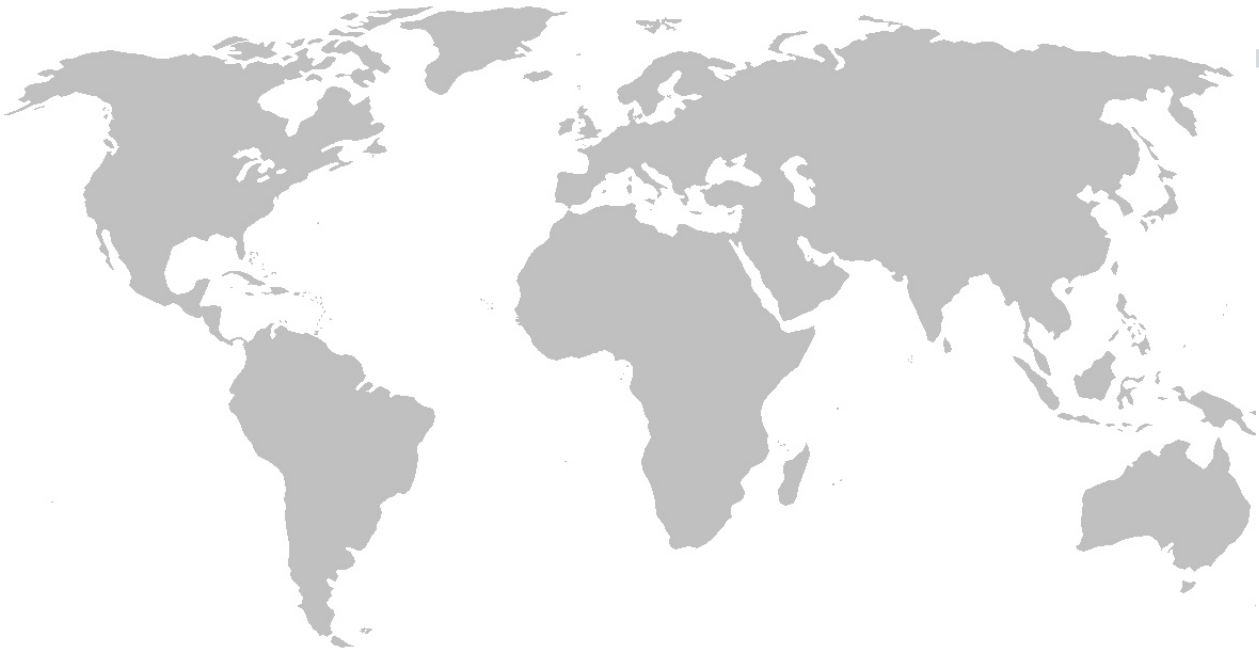
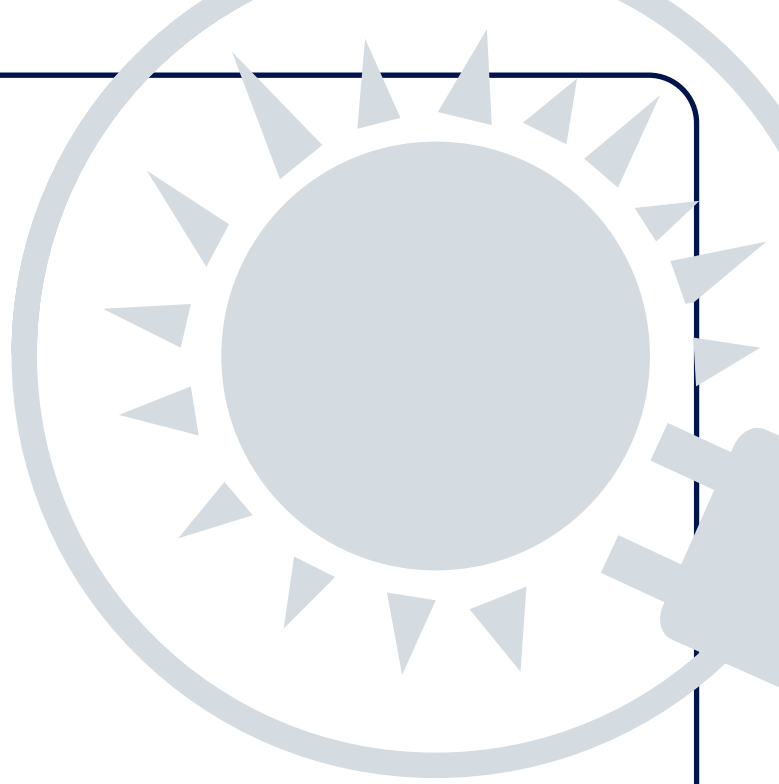


BACK PANEL



AETES RM 4U 5000 / RM 4U 6000

"...power alliance..."



AETES
"...power alliance..."

The specifications, drawings and images indicated in this document are based on current information. All content is subject to modifications or additions. For more information on our local sales offices, visit us at our website below.