

AETES

125V DC-DC Converter 400W

-40°C to +70°C Operating Range

DIN-Rail and Chassis Mountable

Power Boost of 125% for 30s

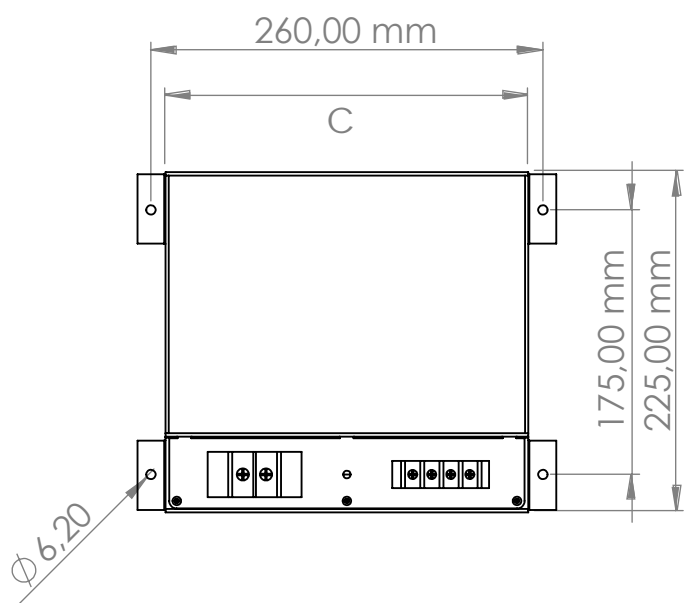
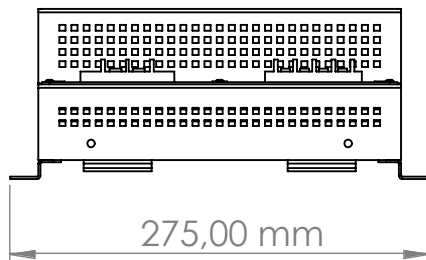
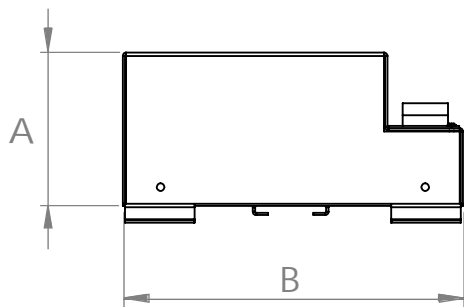
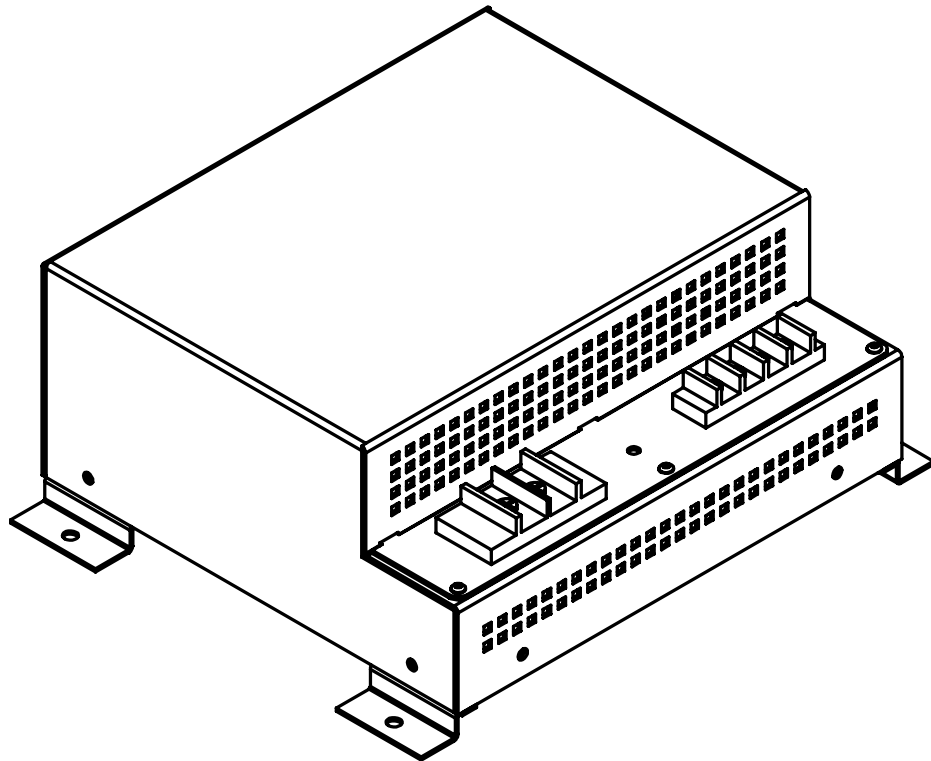


"...power alliance..."

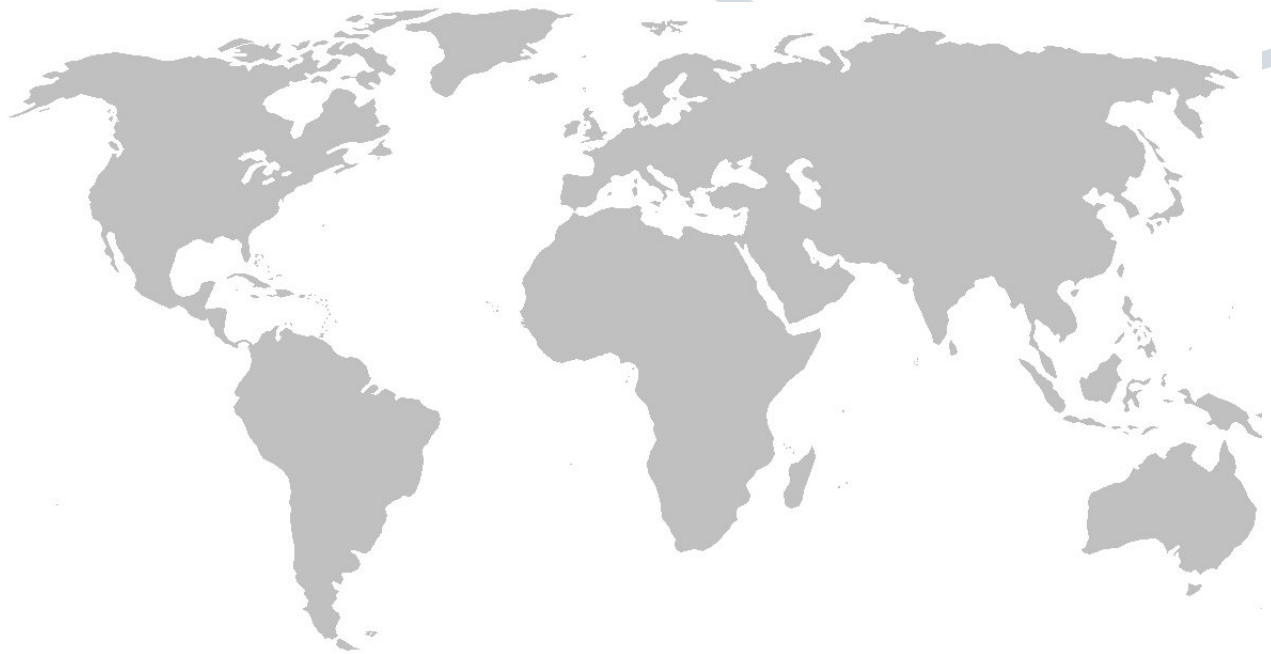
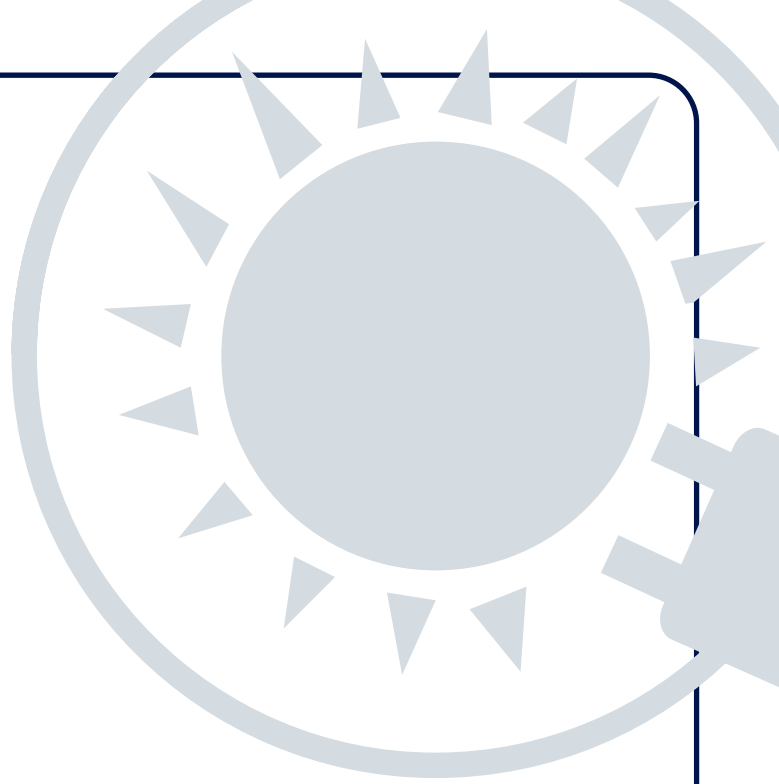
Specification

ITEMS	MODEL	CRW-125-24-400	CRW-125-48-400	CRW-125-110-400
Input Voltage Range		125VDC (70V...160V DC)		
Max. Input Current (125VDC)		5,2A (Cold Start Inrush; 15A-30A)		
Output Voltage		24VDC	48VDC	110VDC
Max. Output Current (DC)		16A (400 Watt)	8A (400 Watt)	4A (400 Watt)
Output Power Reserve		125% load for 30 seconds at <25°C		
Over Current Protection		110% -150%		
Over Voltage Protection		110% -160%		
Over Temperature Protection		Max. Case Temperature 100°C		
Short-Circuit Protection		Continuous		
Efficiency (Full Load) (125VDC)		>87%		
Load Regulation (max.)		1%		
Line Regulation (max.)		0.5%		
Ripple Noise (max.)		2%		
Mounting Kit		DIN Rail + Ears Brackets		
Remote On/ Off		Optionally (Dry Contact)		
Power Good /Alarm Contact		Optionally (Dry Contact NO/ NC)		
Status Indicator LED		Optionally (Blue: Ready Green: ON Red: Fault)		
Enclosure Material/ Color		Aluminum / Anthracite Grey (RAL7016 Texture)		
Cooling		Free Air Convection		
Operating Temperature		-40°C to +70°C Derating linearly to 50% load above +40°C		
Storage Temperature		-40°C to +85°C		
Humidity (Non Condensing)		30-90% RH operating, 5-90% RH non operating		
Withstand Voltage (One Minute)		Input to Ground 1500VAC, Input to Output 3000VAC, Output to Ground 1500VAC		
Isolation Resistance		>100MΩ at 25°C & 70%RH, Output to Ground 500VDC		
Shock & Vibration Compatibility		EN61373 - Category 1, Grade B		
Immunity Compatibility		EN61000-4-2 -3 -4 -5 -6		
Safety Compatibility		EN60950-1		
EMI Compatibility		EN50155 / EN50121-3-2 Class A		
Weight (Typ)		2,8 kg		
Dimensions		A:100 B: 225 C: 240 mm		
Warranty		3-YEAR		

Drawing



"...power alliance..."



AETES
"...power alliance..."

The specifications, drawings and images indicated in this document are based on current information. All content is subject to modifications or additions. For more information on our local sales offices, visit us at our website below.