

# AETES

## PSU XPW-1P4 Series 2500W

*Wide Input Voltage Range*  
*Industrial Grade Design*  
*Five Years Warranty*

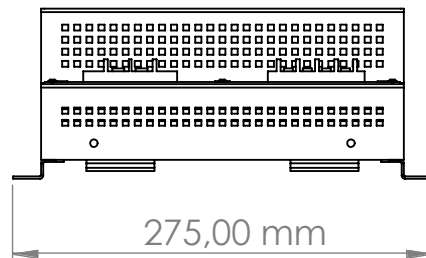
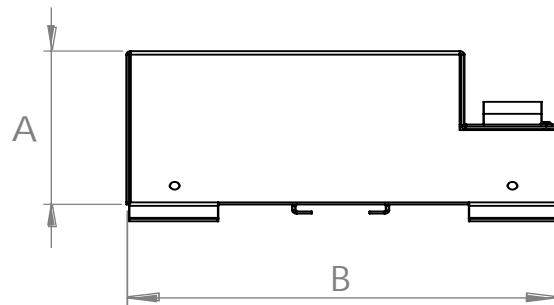
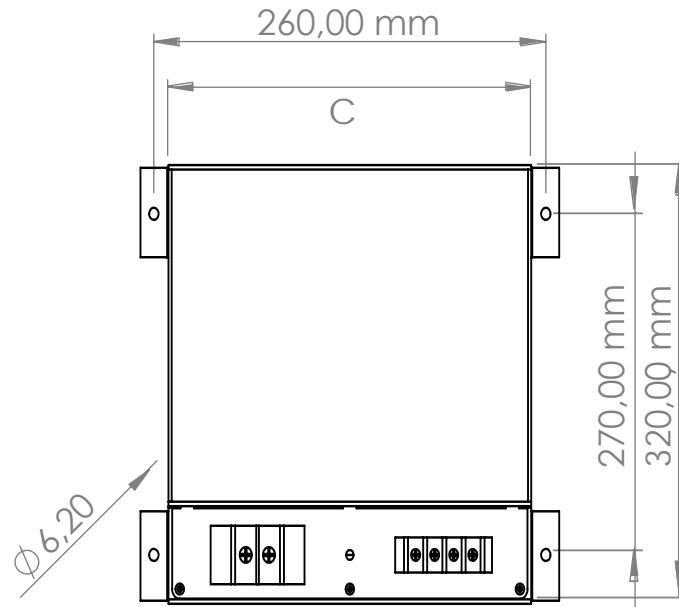


*"...power alliance..."*

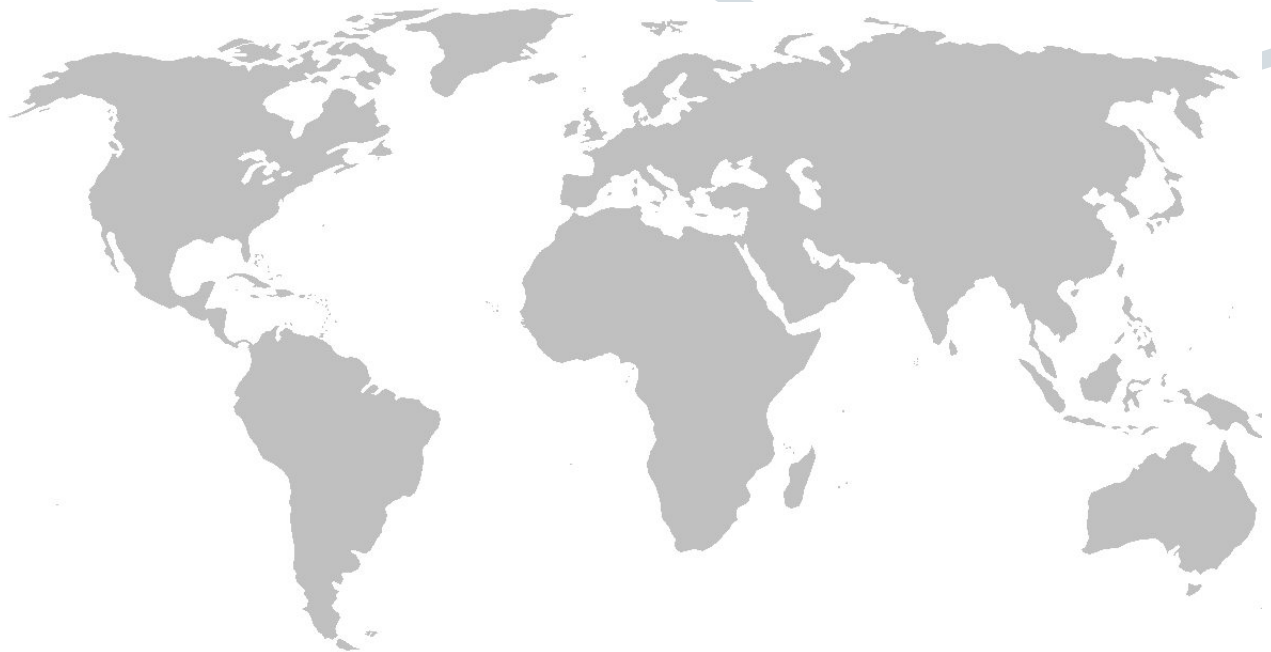
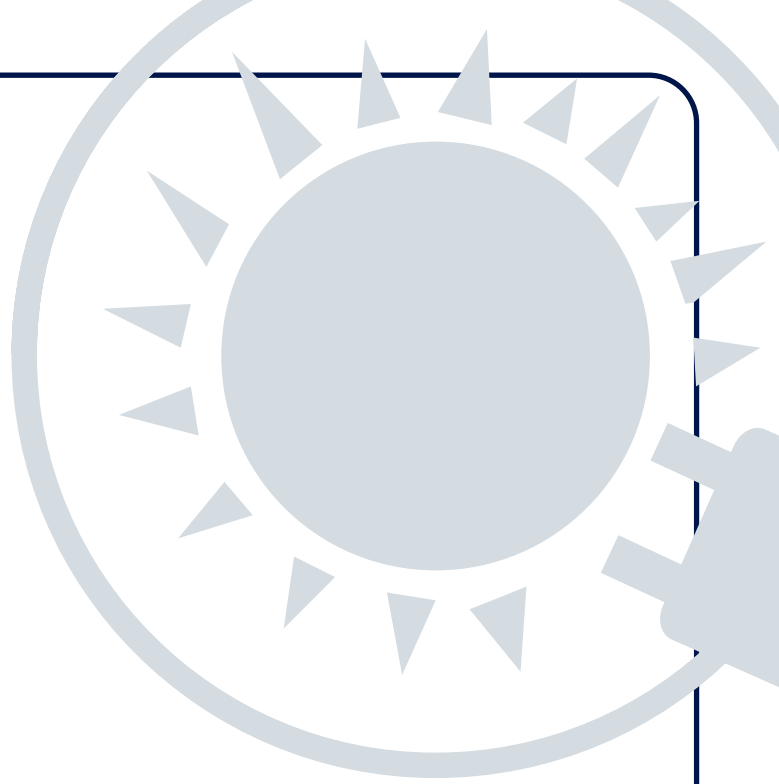
## Specification

ITEMS	MODEL	XPW-1P4-120-2K5	XPW-1P4-125-2K5	XPW-1P4-130-2K5
Output Voltage		120VDC	125VDC	130VDC
Max. Output Power (DC)		20A (2500 Watt)	20A (2500Watt)	20A (2500W)
Input Voltage Range		1-Phase (P-N) AC 80V...274V AC / 47...63Hz		
Input Current (120V/ 240V AC)		Max. 30,4A/ 15,2A (Inrush Max; 60A)		
Input Power Factor		0.97 (Meets EN61000-3-2 Class A)		
Over Temperature Protection		Yes		
Overcurrent Protection		>110-140% Constant current style		
Short Circuit Protection		Yes		
Hold Up Time (typ.)		20ms		
Efficiency (120V/240V AC) (Half & Full Load)		<91% / <93%		
Dynamic Load Regulation (max.)		<5%		
Line Regulation (max.)		<2%		
Ripple Noise (max.)		<600 mV		
Remote On/Off		Yes		
Status Indicator LED & Dry Contact		Yes		
Acoustic Noise (typ.)		40 dBA		
Enclosure Color		Metal / Anthracite Grey (RAL7016 Texture)		
Operating Temperature		-20°C to +70°C, derating linearly to 50% load above +50°C		
Storage Temperature		-40°C to +85°C		
Humidity (non condensing)		30- 90%RH operating, 10-90% RH non operating		
Cooling		Internal fan		
Withstand Voltage (One minute)		Input to Ground 1500VAC, Input to Output 4000VAC, Output to Ground 1500VAC		
Isolation Resistance		>100MΩ at 25°C & 70%RH, Output to Ground 500VDC		
Vibration Compatibility		EN60068-2-6		
Shock Compatibility		EN60068-2-27		
Immunity Compatibility		EN61000-4, -2, -3, -4, -5, -6 ; (A)		
Safety Compatibility		EN60950-1/ EN60601-1		
EMI Compatibility		EN55011 / EN55032 / FCC Class B		
Weight (typ)		8,8 kg		
Dimensions(mm)		A:140 B:320 C:240 mm		
Warranty		5-Year		

# Drawing



*"...power alliance..."*



**AETES**  
*"...power alliance..."*

The specifications, drawings and images indicated in this document are based on current information. All content is subject to modifications or additions. For more information on our local sales offices, visit us at our website below.