

# AETES

## 250VDC to 125VDC Converter

*Power Boost of 150% for 10s  
Designed for Utility Power  
Three Years Warranty*

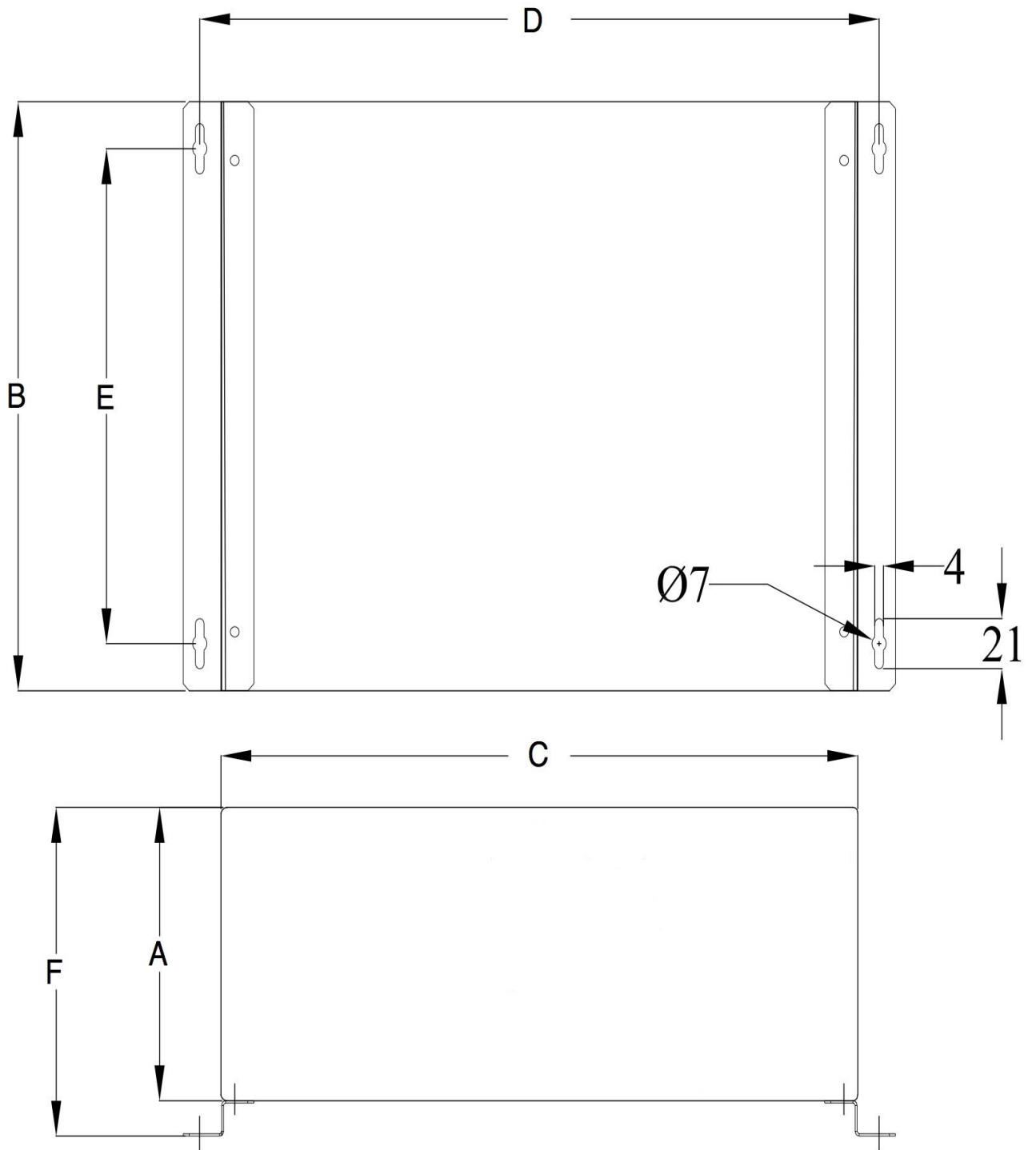


*"...power alliance..."*

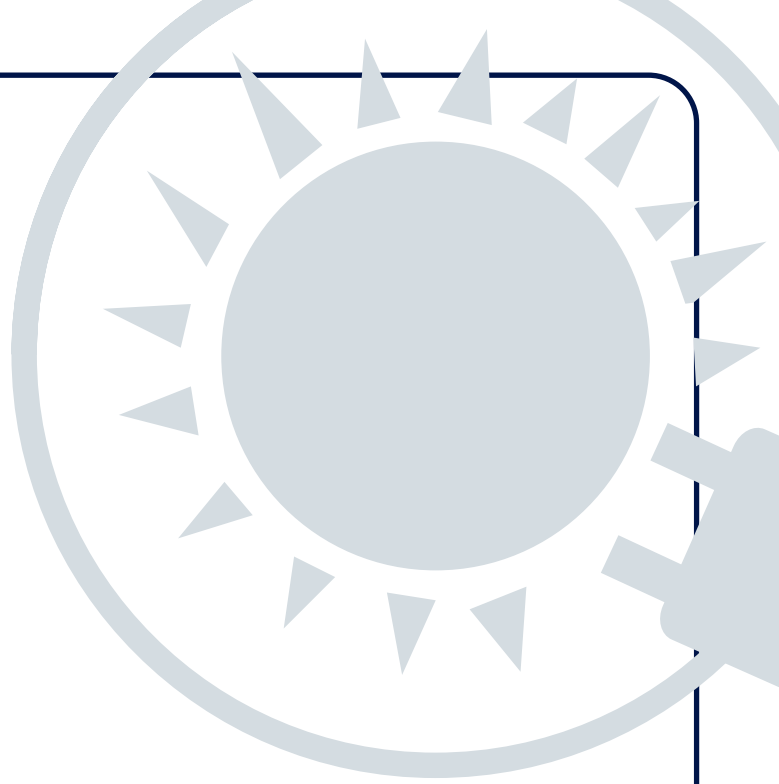
## Specification

ITEMS	MODEL	CPM-250-125-3K0	CPM-250-125-5K0
Input Voltage (Nominal / Range)		250VDC (175VDC...325VDC)	
Max. Input Current		20A (Cold Start Inrush; max.80A)	30A (Cold Start Inrush; max.120A)
Output Voltage		125VDC	
Max. Output Current		25 Amp (3000 Watt)	40 Amp (5000 Watt)
Output Power Reserve (at <25°C)		40 Amp for 10 sec. (with 25% duty cycle)	60 Amp for 10 sec. (with 25% duty cycle)
Overcurrent Protection		>105-150%, Constant current style	
Overvoltage Protection		125-140%	
OverTemperature Protection		Yes	
Hold Up Time (Typ)		20ms	
Efficiency (Full Load) (>250VDC)		88 %	
Load Regulation (max.)		<720 mV	
Line Regulation (max.)		<500 mV	
RippleNoise (max.)		<800 mV	
Remote On/Off		Yes	
Status Dry Contact		Yes	
Status Indicator LED		White: OFF   Blue: READY   Green: ON   Red: FAULT	
Enclosure Color		Grey (RAL 7035)	
Operating Temperature		-10°C to +70°C, derating linearly to 50% load above +50°C	
Storage Temperature		-30°C to +75°C	
Humidity (non condensing)		30-90% RH operating, 10-90% RH non operating	
Cooling		Internal fan	
Withstand Voltage (1 min.)		Input to Ground 2kVAC, Input to Output 3kVAC, Output to Ground 500VAC, Output to CNT 100VAC	
Isolation Resistance		>100MΩ at 25°C & 70%RH, Output to Ground 500VDC	
Vibration Compatibility		EN60068-2-6	
Shock Compatibility		EN60068-2-27	
Immunity Compatibility		EN61000-4 -2 -3 -4 -5 -6 -8 -11	
Safety Compatibility		EN60950-1	
EMI Compatibility		EN55011 / EN55022-B, FCC Class B	
Weight (Typ)		14,4 kg	18,5 kg
Dimensions		A:135 B:370+20 C:320 mm	
Warranty		3-YEAR	

# Drawing



*"...power alliance..."*



**AETES**  
*"...power alliance..."*

The specifications, drawings and images indicated in this document are based on current information. All content is subject to modifications or additions. For more information on our local sales offices, visit us at our website below.