

AETES

DC/DC125V Converter 8800W

Up to 30kW peak (1s), 15kW (1m)

Built for Industrial Substations

Wide Temperature Range

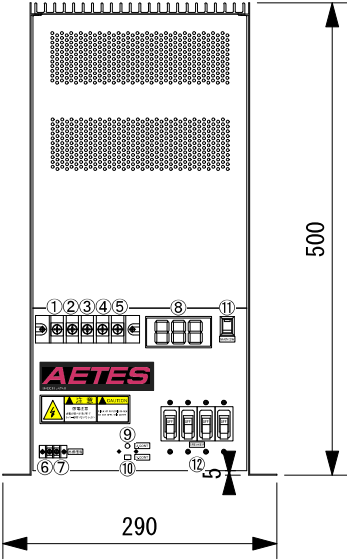
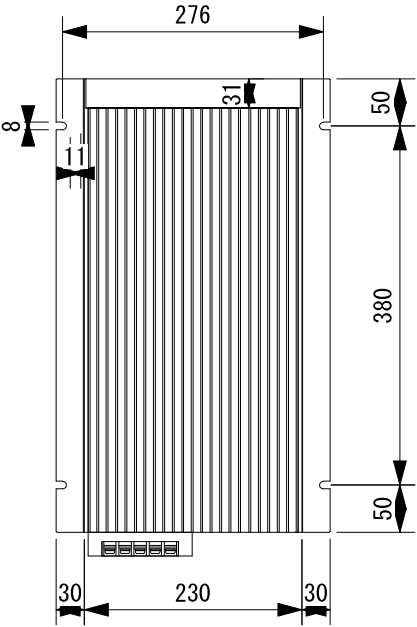
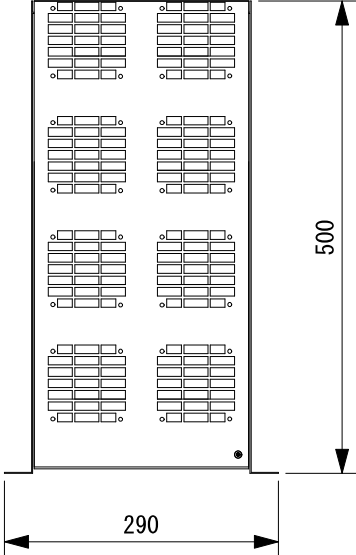
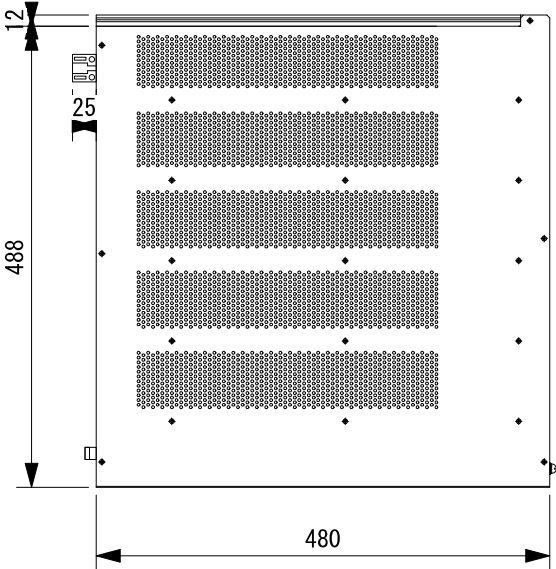


"...power alliance..."

Specification

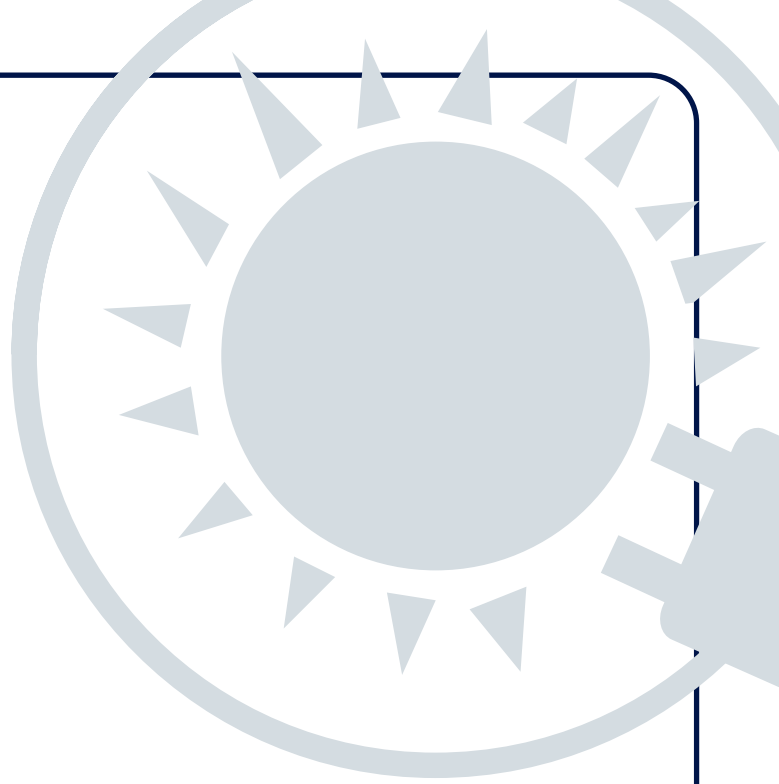
ITEMS	MODEL	CSK-048-125-8K8	CSK-110-125-8K8	CSK-125-125-8K8	CSK-250-125-8K8
Input Voltage Nominal		48VDC	110VDC	125VDC	250VDC
Input Voltage Range		40V...60V DC	90V...135V DC	108V...162V DC	216V...324V DC
Output Voltage		125VDC			
Max. Output Current		70 Amp / 8800W (Continuous)			
Output Power Reserve		15 kW (60 sec at 20°C) & 30 kW for (1 sec at 20°C)			
Output Over Current Protection		Yes			
Over Temperature Protection		>+80°C			
Input Reverse Polarity Protection		Yes			
Short-Circuit Protection		Continuous			
Efficiency (Full Load)		<85%			
Load Regulation (max.)		±%3			
Line Regulation (max.)		120mV			
Ripple Noise (max.)		180mV			
Communication		Optional			
Remote On/ Off		Yes			
Digital Voltmeter		Optional			
Status Indicator LED		Yes			
Enclosure Material/ Color		Grey / Black			
Cooling		Smart Fan: Natural up to +50°C			
Operating Temperature		-10°C to +70°C (Derating linearly to 40% load above +40°C)			
Storage Temperature		- 40°C to +90°C			
Humidity (Non Condensing)		20-90% RH operating, 10-90% RH non operating			
Withstand Voltage (One Minute)		Input to Ground 2000VAC, Input to Output 2000VAC, Output to Ground 2000VAC			
Isolation Resistance		>100MΩ at +25°C & 95%RH, Output to Ground 500VDC			
MTBF		>100,000 h (<80% load and at +25°C)			
Vibration Compatibility		EN61373 - Category 1, Class B			
Safety Compatibility		EN60601-1, EN62368-1			
EMI Compatibility		EN55032 Class B			
Weight (typ.)		30 kg			
Dimensions (mm)		W:290 D:505 H:500			
Warranty		2-YEAR			

Drawing



CSK-xxx-125-8K8

"...power alliance..."



AETES
"...power alliance..."

The specifications, drawings and images indicated in this document are based on current information. All content is subject to modifications or additions. For more information on our local sales offices, visit us at our website below.