

AETES

XPM | AC / 125VDC Converter

Power Boost of 125-150% (10s)
Industrial Grade Design
5 Years Warranty

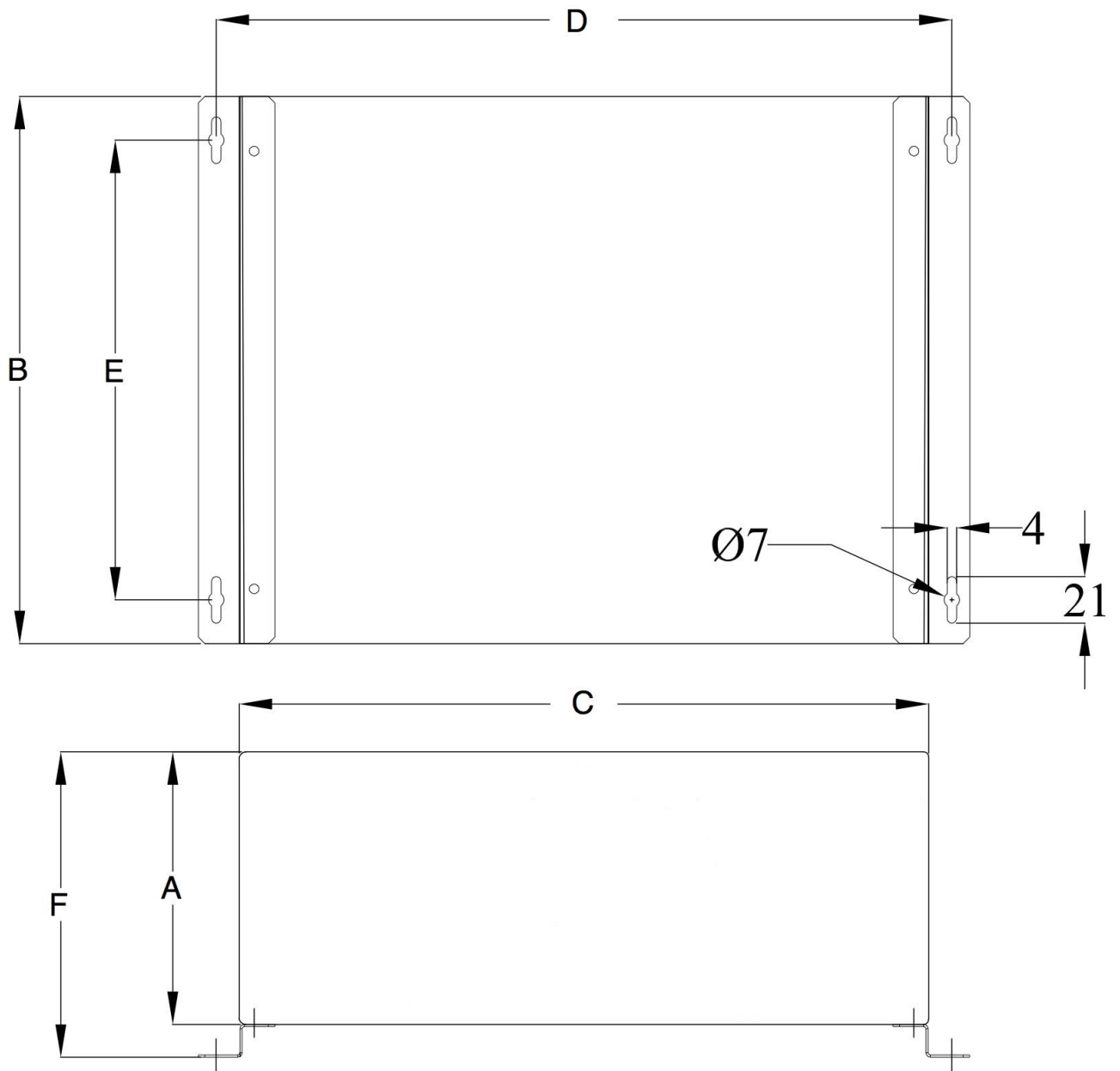


"...power alliance..."

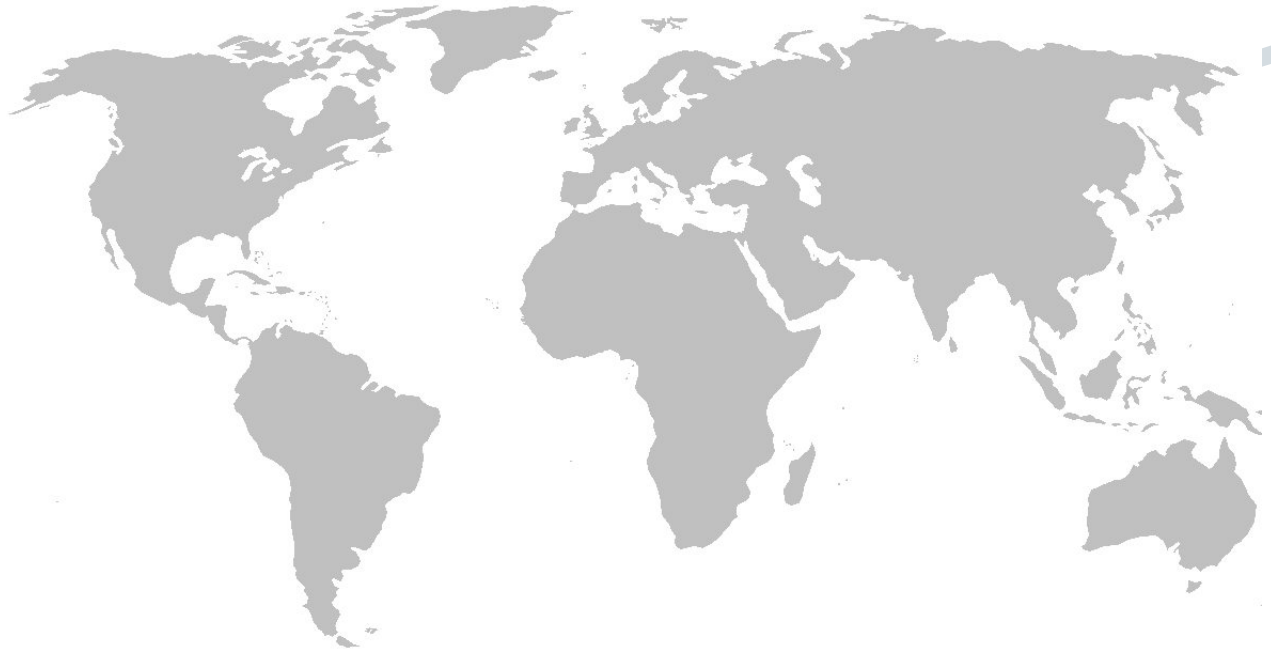
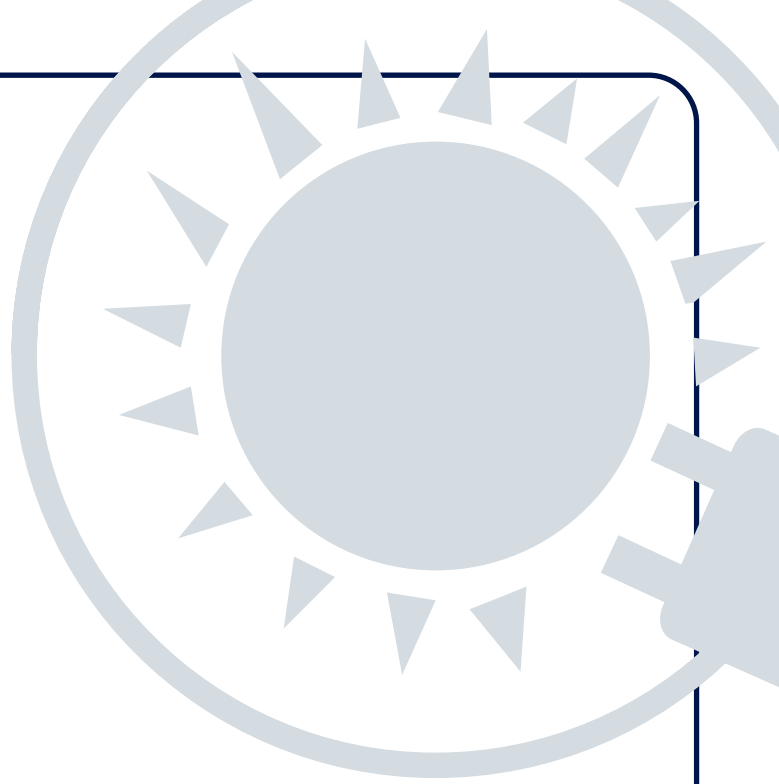
Specification

ITEMS	MODEL	XPM-1P3-125-2K0	XPM-1P3-125-3K0	XPM-1P3-125-4K0	XPM-1P3-125-5K0
Output Voltage		125VDC			
Max. Output Current (DC)		16A (2000 Watt)	25A (3000 Watt)	32A (4000 Watt)	40A (5000 Watt)
Output Power Reserve		125% for 10sec. at 25°C & >200VAC		150% for 10sec. at 25°C & >200VAC	
Input Voltage Range		100V/.../240V AC (86V...264V) 50/60 Hz (47...63 Hz)			
Input Current (120/230 VAC)		24A/ 12A	37A/ 19A	52A/ 27A	60A/ 33A
Power Factor		>0.9 (Meets EN61000-3-2 Class A)			
Overcurrent Protection		>105-125% Constant current style		>105-150% Constant current style	
Overvoltage Protection		125% -140%			
Hold Up Time (Typ)		20ms			
Efficiency (Full Load) (230V AC)		88%			
Load Regulation (max.)		500 mV		576 mV	
Line Regulation (max.)		384 mV		384 mV	
Ripple Noise (max.)		450 mV		600 mV	
Remote On/Off		Yes			
Status Indicator		White: OFF Blue: READY Green: ON Red: FAULT			
Dry Contacts (Ready / Fault)		Yes			
Enclosure Color		Grey (RAL7035)			
Operating Temperature		-20°C...+70°C, derating linearly to 50% load above +50°C			
Storage Temperature		-40°C to +85°C			
Humidity (non condensing)		30-90% RH operating, 10-90% RH non operating			
Cooling		Internal fan			
Withstand Voltage (One minute)		Input to Ground 2kVAC, Input to Output 3kVAC Output to Ground 500VAC			
Isolation Resistance		>100MΩ at 25°C & 70% RH, Output to Ground 500VDC			
Vibration Compatibility		EN60068-2-6			
Shock Compatibility		EN60068-2-27			
Immunity Compatibility		EN61000-4 -2 -3 -4 -5 -6 -8 -11			
Safety Compatibility		EN60950-1			
EMI Compatibility		EN55011 / EN55022-B FCC Class B			
Weight (Typ)		10,5 kg	12,5 kg	18,5 kg	21,5 kg
Dimensions (mm)		A:135 B:320 C:240	A:135 B:370 C:240	A:135 B:370 C:320	A:135 B:370 C:420
Warranty		5-YEAR			

Drawing



"...power alliance..."



AETES
"...power alliance..."

The specifications, drawings and images indicated in this document are based on current information. All content is subject to modifications or additions. For more information on our local sales offices, visit us at our website below.