

AETES

RACK STS 5U 3-PH 32A-63A

Fastest Switching Time

Multilingual LCD Control Panel

Fully Microprocessor Controlled Design



"...power alliance..."

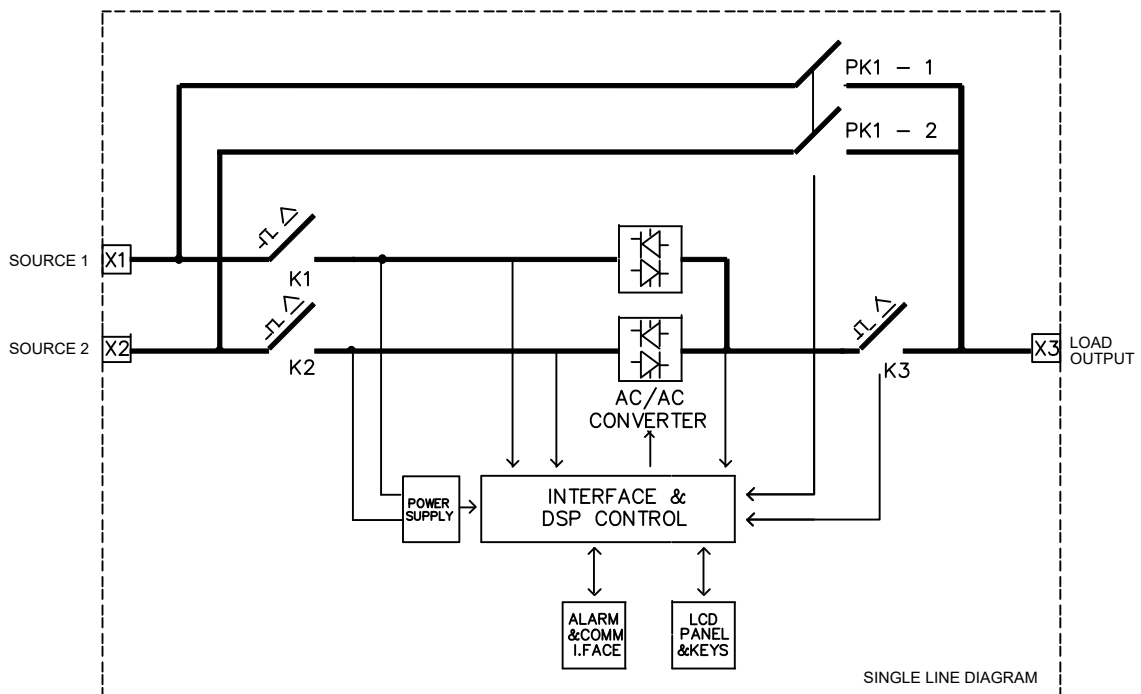
DESCRIPTION

AETES Industrial Rack STS 5U series area three phase, 3-pole and 4-pole Static Transfer Switches, which can switch between to independent AC sources without interrupting the output powerless than $\frac{1}{4}$ cycle. With a sense and transfer time of less than 5 ms, the AETES Rack STS represents the highest performance power switching solution available for the most critical applications. AETES Rack STS systems effective power protection for a wide range of applications including Telecom, Defence, Energy and General Industrial.

FEATURES

- LCD Control Panel for Easy Operation
- User Language Options (DE, FR, EN, ES, PT, TR)
- Fully DSP logic for fast and Reliable Control
- Source Priority Selection
- Password Protected Menu Structure
- Modbus Communication via RS232 Serial Port
- Adjustable Operation Parametres
- Audible & Visual Alarms
- Programmable Dry Contacts
- Manual By-pass for Maintenance
- 19" Rack Mount Compact Design
- High Efficiency, up to 98%
- 2 Years Warranty

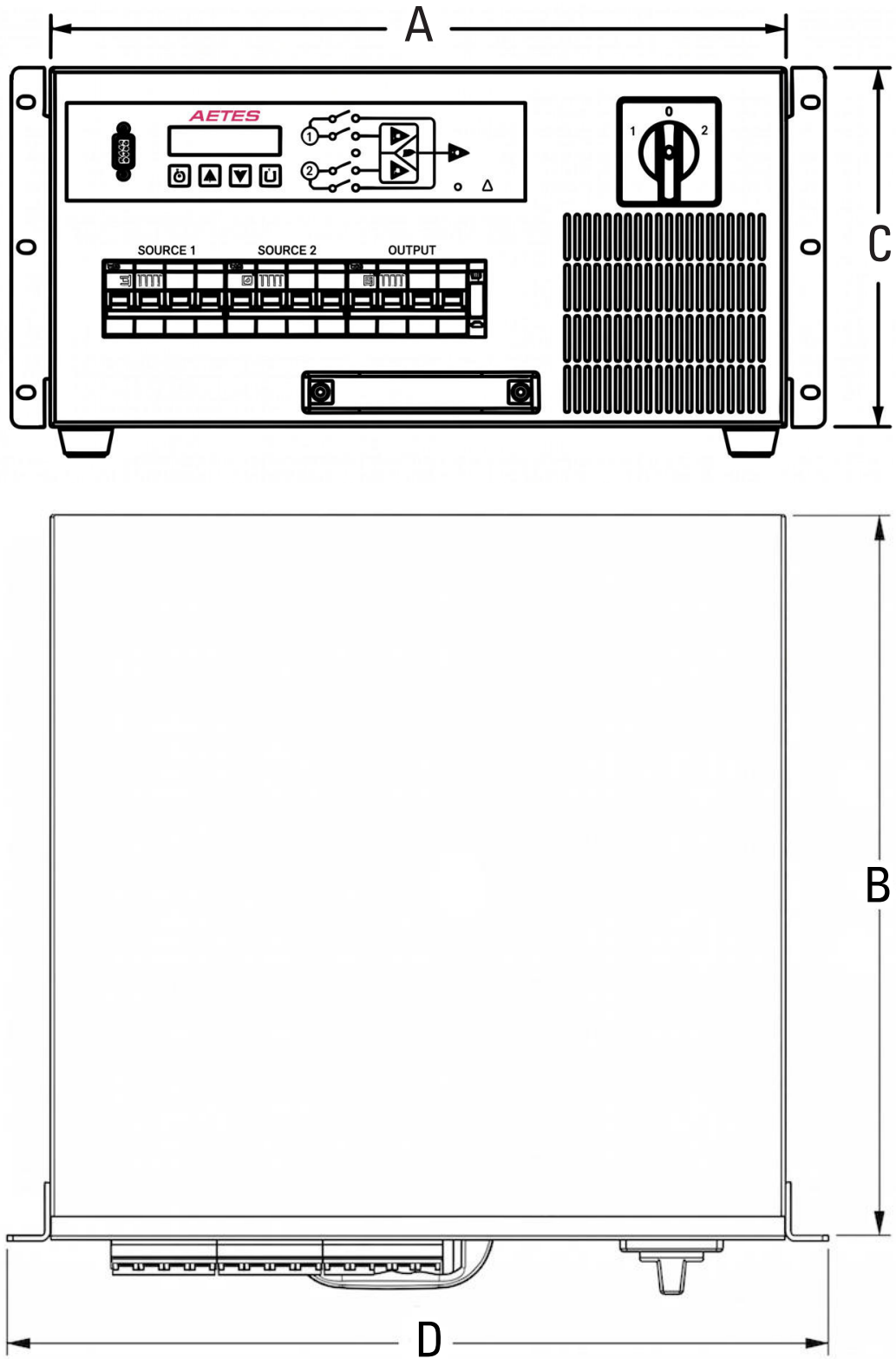
LINE DIAGRAM



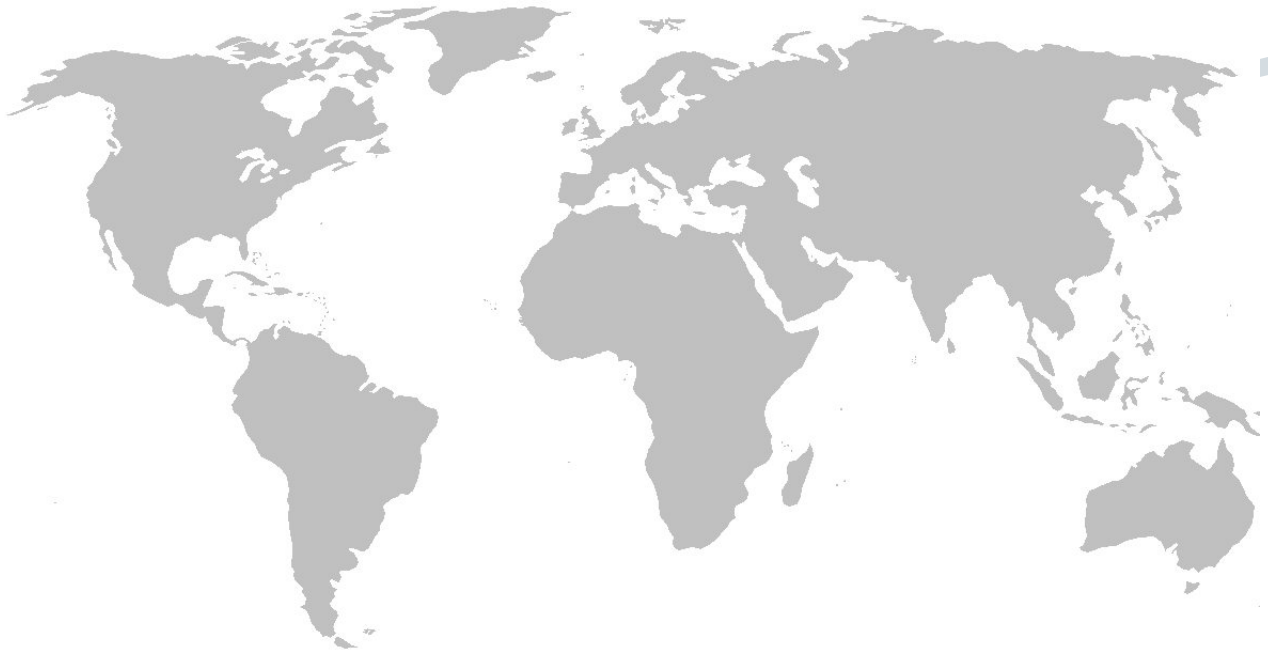
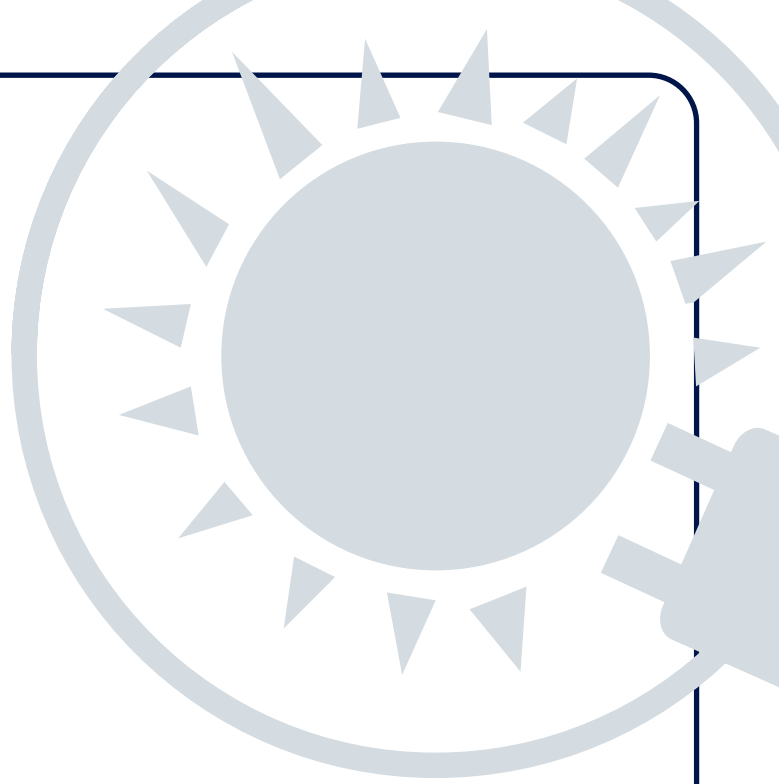
TECHNICAL SPECIFICATION

MODELS	STS-5RU-3P3-32A	STS-5RU-3P3-63A
INPUT		
Nominal Voltage ($\pm 10\%$)	3-Phase 380V/ 400V/ 415V AC	
Nominal Frequency ($\pm 10\%$)	50Hz / 60Hz	
Maximum Current	32 AMP	63 AMP
Input Connection Type	Internal Cable Terminal (Rear)	Internal Cable Terminal (Rear)
Overcurrent Protection	(2) MCB Circuit Breaker 32 Amp	(2) MCB Circuit Breaker 63 Amp
OUTPUT		
Output Connection Type	Internal Cable Terminal (Rear)	Internal Cable Terminal (Rear)
Overcurrent Protection	(1) MCB Circuit Breaker 32 Amp	(1) MCB Circuit Breaker 63 Amp
Over Temperature Protection	Yes	Yes
Retransfer Inhibit	Yes	Yes
Transfer Topology	3-Pole or 4-Pole (Order Option)	
Transfer Time	<5ms (Sync) & <3/4 Cycle (Unsync)	
Efficiency	>%98	
COMMUNICATION		
Connectivity Ports	RS232 Modbus (Optional: RS485, TCP/IP)	
Dry Contacts	(1) Common Alarm & (4) Programmable Contacts	
Information Display	2 Line 2x16 LCD Display	
Measurements	Source Voltages, Difference Voltage, Output Voltage, Output Current	
Warnings	Source Fail, Source Not Sync, Output Fail, Over Current Block Over Temperature, Internal PSU Fault, Maintenance CB Closed	
ENVIRONMENTAL		
Cooling	Fan Forced	
Operating Temperature	0°C...+50°C	
Storage Temperature	-10°C...+70°C	
Operating Humidity	10%-90% RH (Non-Condensing)	
Operating Altitude	<2000m	
Acoustic Noise	<50dBA	
PHYSICAL		
Enclosure	Galvanised Steel	
Colour	Grey RAL7035	
Protection Level	IP20	
Dimensions	A:440 B:500 C:222 mm	A:440 B:600 C:222 mm
Net Weight	22 kg	24 kg
MOQ / Package	1 Unit / Plywood Crate 650x550x350 mm 30 kg	1 Unit / Plywood Crate 750x550x350 mm 32 kg
Included Accessory	Rack Bracets & Case Feet	Rack Bracets & Case Feet
COMPATIBILITY		
EMI Compatibility	EN62310-1	
Safety Compatibility	EN62310-2	
Performance Compatibility	EN62310-3	
Warranty	2 Years	

DRAWING



"...power alliance..."



AETES
"...power alliance..."

The specifications, drawings and images indicated in this document are based on current information. All content is subject to modifications or additions. For more information on our local sales offices, visit us at our website below.